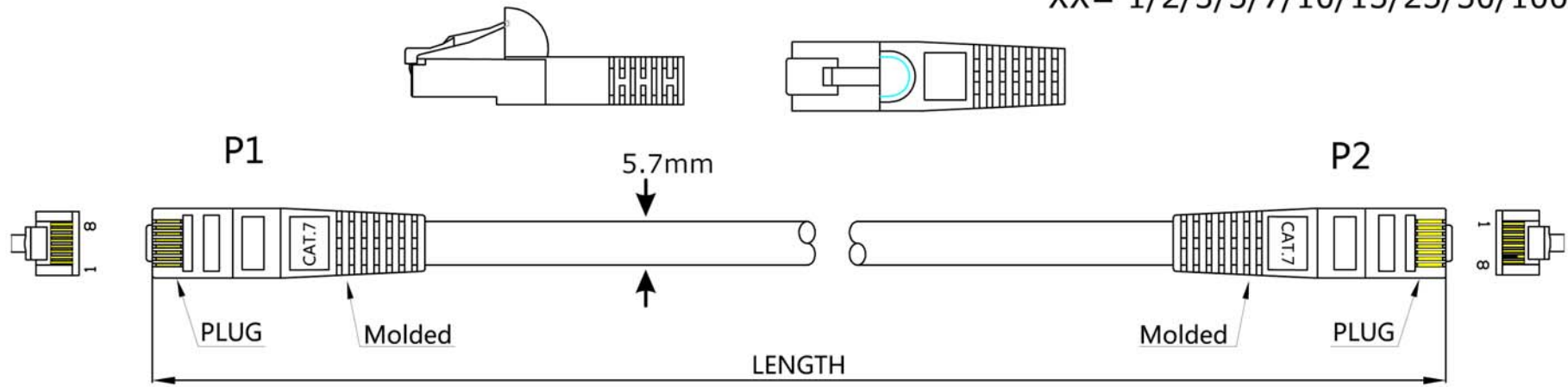
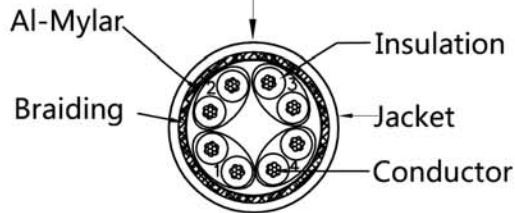


**BI** Customer Spec

VPI P/N: CAT7-xx-26color  
 XX= 1/2/3/5/7/10/15/25/50/100 feet



Marking: YFC CAT.7 SSTP PATCH 3P VERIFIED TO ANSI/TIA-568-C.2 & ISO/IEC 11801 ED.2 & EN 50288-4-2 & (FP1215) IEC 60332-1-2 ▲ 26AWGX4P CMX (UL) c(UL) CMH



orange 2 white/orange	green 3 white/green
blue 1 white/blue	brown 4 white/brown

Length-Ft (mm)	Tolerance: +/-In. (mm)
1 (305)	2.4 (60)
2 (610)	2.4 (60)
3 (915)	2.4 (60)
5 (1530)	2.4 (60)
7 (2150)	+4 (102)
10 (3050)	+4 (102)
15 (4572)	6.3 (160)
25 (7630)	8 (203)
50 (15250)	12 (305)
100 (30480)	12 (305)

Conductor	Bare Copper 26AWG
Insulation	Thickness:MIN at any point:0.20mm MAX AVG:0.35mm Diameter:1.06±0.03mm
Jacket/PVC	Thickness:MIN at any point:0.50mm MAX AVG:0.60mm Diameter:5.7±0.2mm
Wire	CAT.7 SSTP 26AWG*4P
Plug	YUS-04 8P8C 50u"
Color	black,blue,gray or white
PAPT NAME	SPECIFICATION DESCRIPTION

PA/R	PINOUT		
	P1(T568B)	WIRE	P2(T568B)
2	1	WHT/ORG	1
	2	ORG	2
3	3	WHT/GRN	3
	6	GRN	6
1	4	BLU	4
	5	WHT/BLU	5
4	7	WHT/BRN	7
	8	BRN	8

All materials are RoHS compliant.