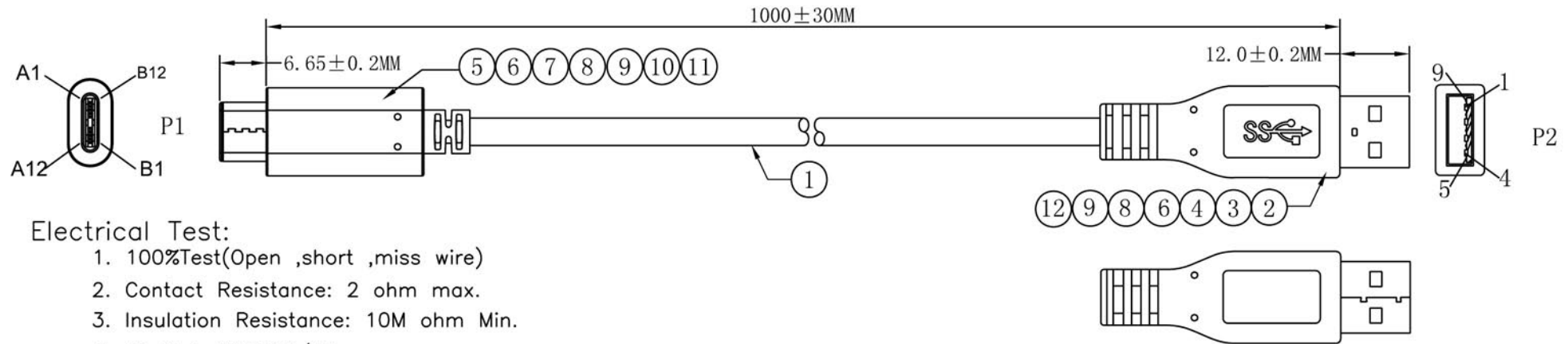
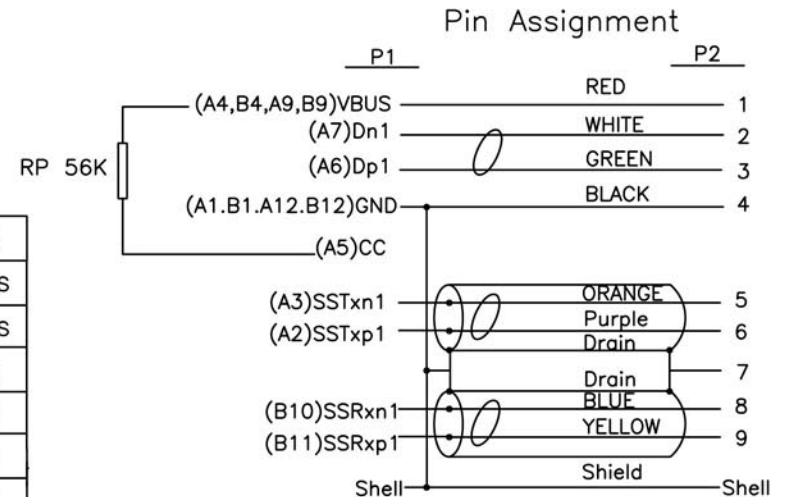
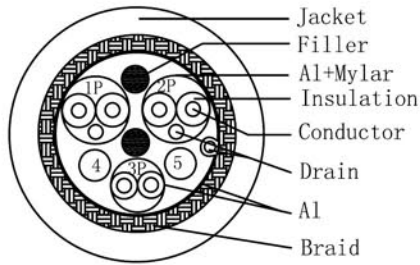


# VPI P/N: USB3-AC-1M-K



## Electrical Test:

1. 100%Test(Open ,short ,miss wire)
2. Contact Resistance: 2 ohm max.
3. Insulation Resistance: 10M ohm Min.
4. Hi-Pot: 300VDC/10ms.



12	A10-R042106	W=5MM 25u copper foil	0.016	M
11	A0020100-00174	USB TYPE C~On the tinplate plating nickel	1	PCS
10	A0020100-00175	USB TYPE C~Under the tinplate plating nickel	1	PCS
9	A10-R075002	H.S TUBE $\phi$ 1.0 Color:Black	0.02	M
8	A10-R075005	H.S TUBE $\phi$ 2.5 Color:Black	0.028	M
7	A5-R047011	Transparent PE	4	G
6	A5-R047001	45P PVC Color:Black	16	G
5	B010-00873	USB C TYPE Connector With PCBA(Resistance56K $\Omega$ )	1	PCS
4	A6-R028172	USB3.0 AM Back Shell Nickel Plated Shell	1	PCS
3	A6-R028171	USB3.0 AM Front Shell Nickel Plated Shell	1	PCS
2	A2-R028316	USB3.0 AM Solder Blue Insulation	1	PCS
1	A0010314-00038	USB3.1 [30AWG (7/0.1TC)+EAM]*2P+[30AWG (7/0.1TC)*1P+A]+24AWG (7/0.2TC)*2C+AEB(16/7/0.12TC 85%TC)OD:4.5MM Color:Black Marking: 兄 AWM STYLE 2725 80°C 30V VW-1 RoHS	1	M
NO	ITEM	DESCRIPTION	Q'TY	UNIT