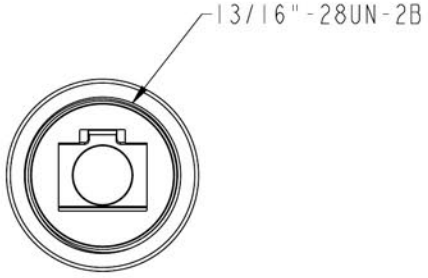
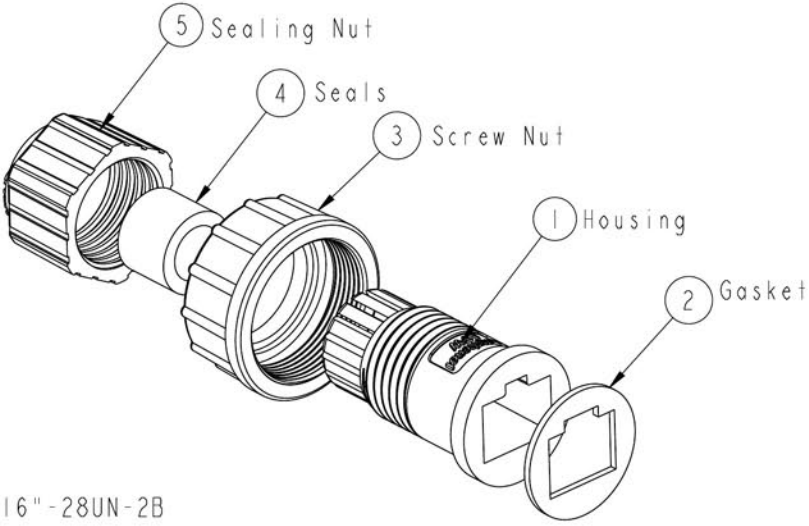
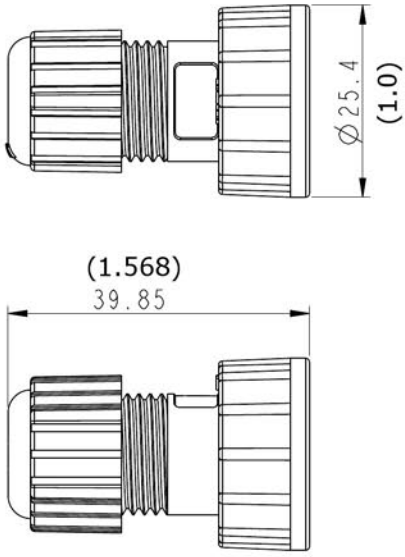


VPI P/N: RJ45-5EWTP-CB28S-M



- Note:
- * Waterproof Rate: IP67(Mating)
 - * Housing: Nylon 66, Black.
 - * Gasket: Silicone, Gray
 - * Seals: Silicone, Gray
 - * Screw Nut : Zinc Alloy, Nickel Plated
 - * Sealing Nut : NYLON+GF, BK
 - * Temperature Range : -40~+105 °C
 - * Seals for cable OD=∅ 4.5~6.5mm
 - * One Set Unassembled in One PE Bag

Unit: Millimeter (Inch)

VPI VIDEO PRODUCTS INCORPORATED
 1275 Danner Drive Aurora, Ohio 44202
 Tel: 330-562-2622 Fax: 330-562-1999
 www.vpi.us