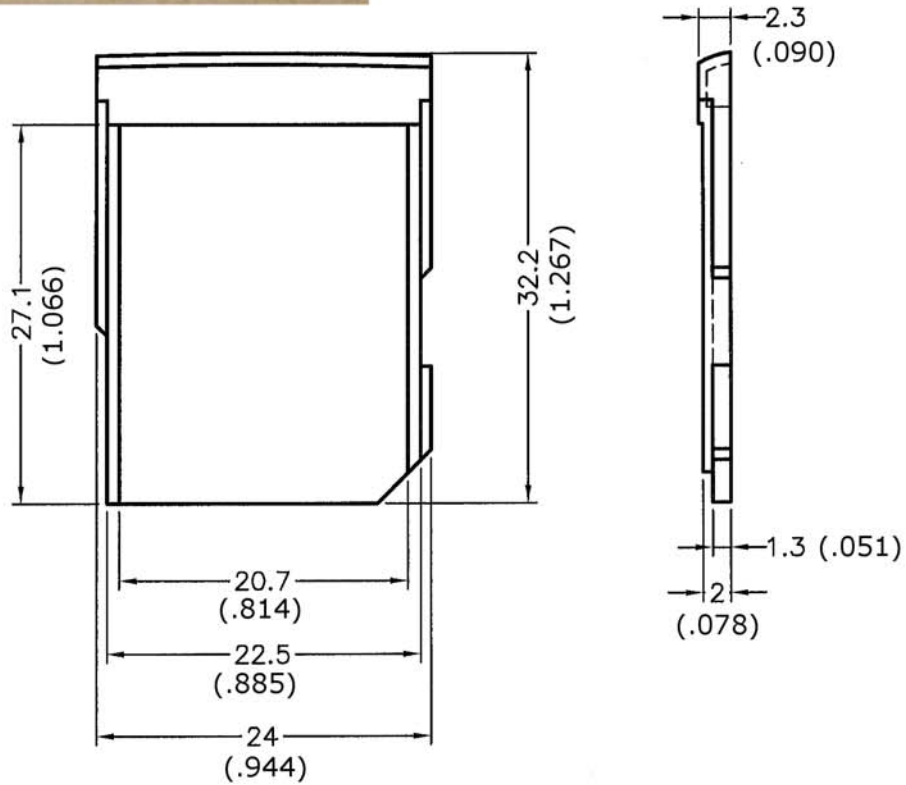


VPI P/N: CVR-SD



Material: ABS

UL Flame class: 94HB

Color: Black

Dimension units : Millimeters (Inches)

Operating Temperature Range: -20°C to 80°C



VIDEO
PRODUCTS
INCORPORATED

1275 Danner Drive Aurora, Ohio 44202
Tel: 330-562-2622 Fax: 330-562-1999
www.vpi.us