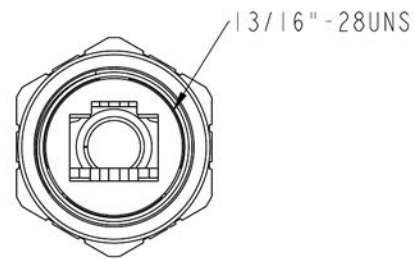
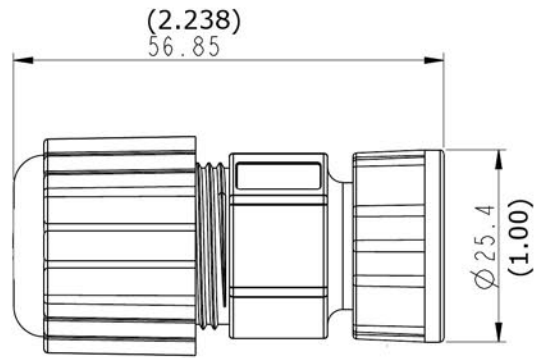
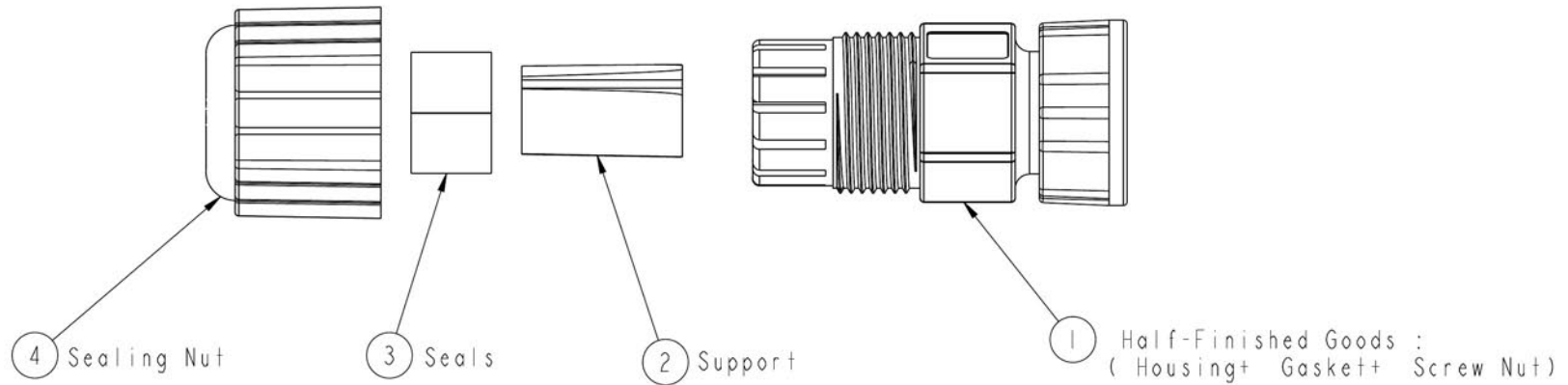


VPI P/N: RJ45-5EWTP-CB28



Note:

- \* Waterproof Rate : IP67 (Mated)
- \* Housing : Nylon+GF, Black
- \* Gasket : Silicon, Gray
- \* Screw Nut : Nylon+GF, Black
- \* Support: TPU, Black
- \* Sealing Nut: Nylon+GF, Black
- \* Seals: Silicon, Gray.
- \* Cable OD Range: 5.0~6.5mm
- \* Mating Nut Torsion Value Range: 5~8kgf-cm
- \* Sealing Nut Torsion Value Range: 8~15kgf-cm

UNITS: Millimeter (Inch)

**VPI** VIDEO  
PRODUCTS  
INCORPORATED

1275 Danner Drive Aurora, Ohio 44202  
Tel: 330-562-2622 Fax: 330-562-1999  
www.vpi.us