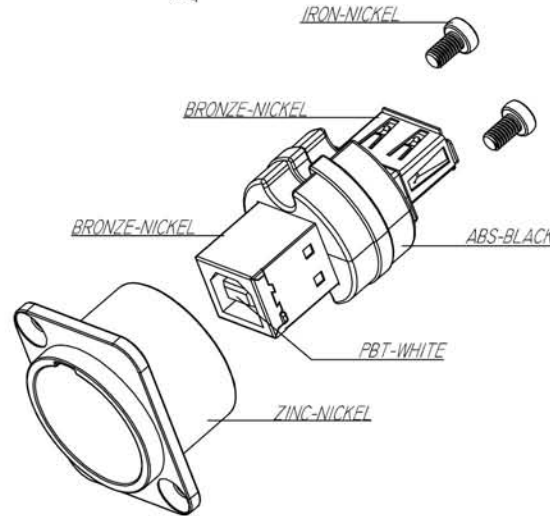
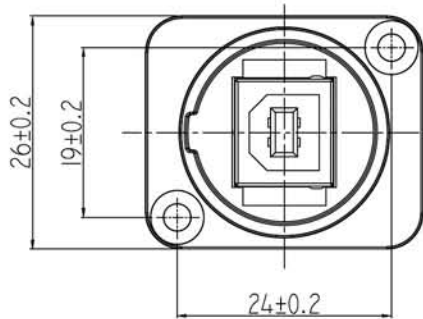
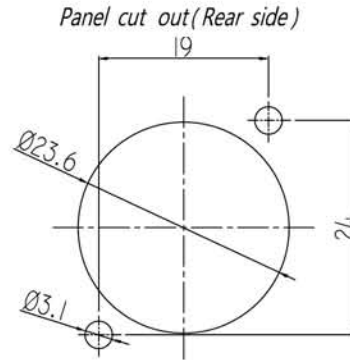
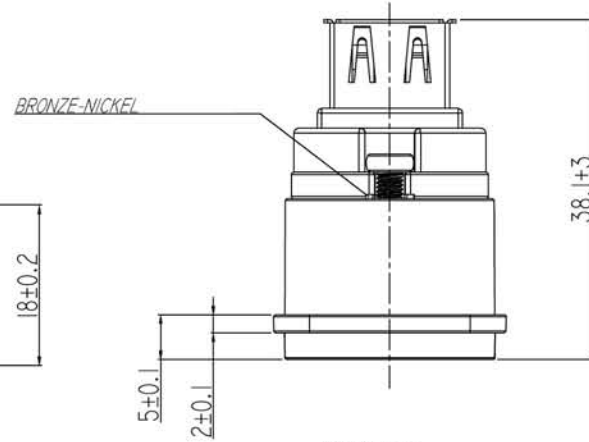
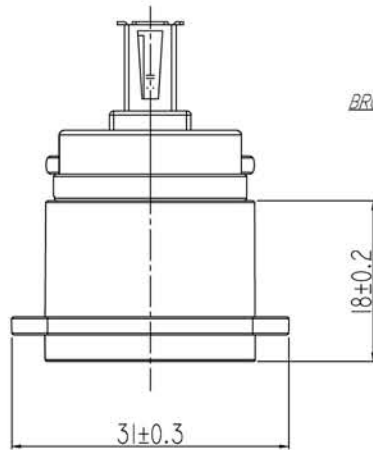
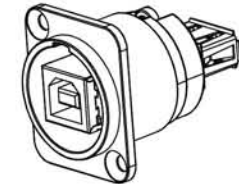


VPI P/N: PM-USBBF-USBAF

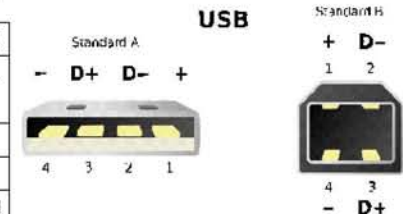


USB 2.0 Specification & Technical Data:
 Contact Resistance: 30 mΩ MAX
 Insulation Resistance: 1000 MΩ min
 Dielectric withstanding voltage: 500V AC one minute
 Rated Current 1.5 A
 Rated Voltage 500V
 Temperature Range 0°C-50°C
 (High-Speed): 25Mbps ~ 480Mbps (Max 480Mbps)
 (Full Speed): 500Kbps ~ 10Mbps (Max 12Mbps)
 (Low Speed): 10Kbps ~ 100Kbps (Max 1.5Mbps)

Material:
 Insulation : PBT
 Contact: Brass
 Shell: Brass
Plating:
 Contact : Touch Area Golden Plating 1u"
 Soldering Area Tin Plating 40u" min
 Shell: Whole Area Nickel Plating 40u" min



Contact	Standard A	Standard B
1	VBUS (4.75 - 5.25 V)	VBUS (4.4 - 5.25 V)
2	D-	D-
3	D+	D+
4	Earthing	Earthing



Units: Millimeters

VPI VIDEO PRODUCTS INCORPORATED

1275 Danner Drive Aurora, Ohio 44202
 Tel: 330-562-2622 Fax: 330-562-1999
 www.vpi.us