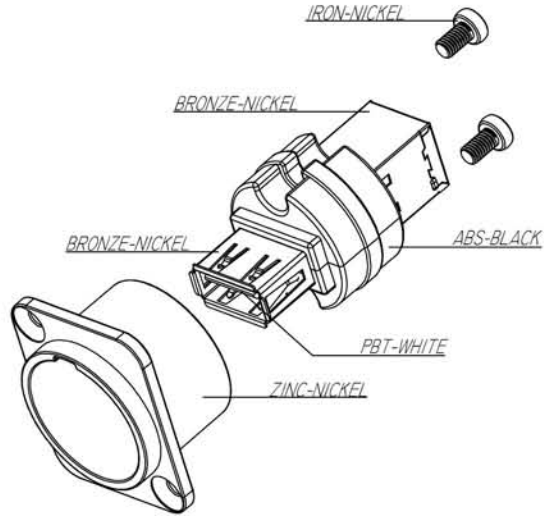
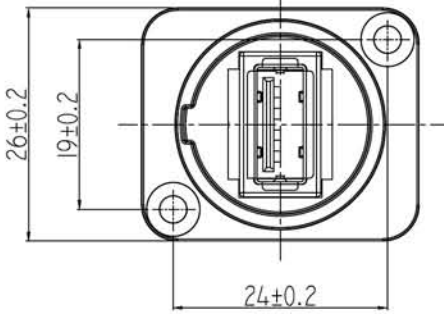
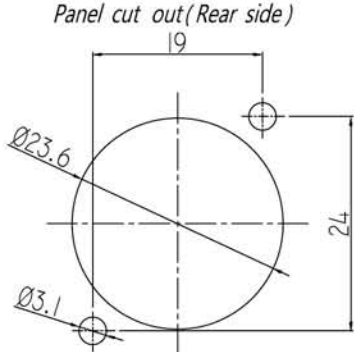
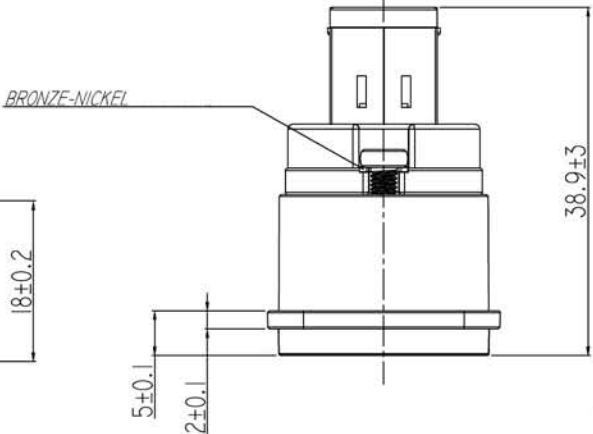
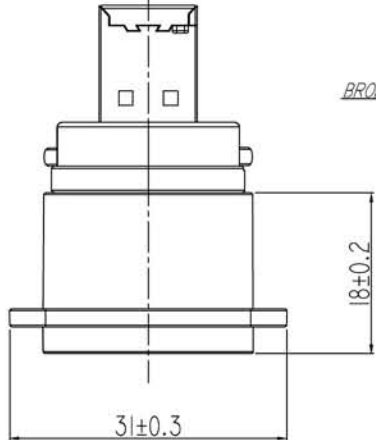


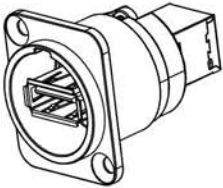
# VPI P/N: PM-USBAF-USBBF



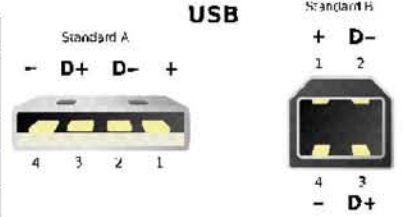
**USB 2.0 Specification & Technical Data:**  
 Contact Resistance: 30 mΩ MAX  
 Insulation Resistance: 1000 MΩ min  
 Dielectric withstanding voltage: 500V AC one minute  
 Rated Current 1.5 A  
 Rated Voltage 500V  
 Temperature Range 0°C-50°C  
 (High-Speed): 25Mbps ~ 480Mbps (Max 480Mbps)  
 (Full Speed): 500Kbps ~ 10Mbps (Max 12Mbps)  
 (Low Speed): 10Kbps ~ 100Kbps (Max 1.5Mbps)

**Material:**  
 Insulation : PBT  
 Contact: Brass  
 Shell: Brass

**Plating:**  
 Contact: Touch Area Golden Plating 1u"  
 Soldering Area Tin Plating 40u" min  
 Shell: Whole Area Nickel Plating 40u" min



	Standard A	Standard B
1	VBUS (4.75 - 5.25 V)	VBUS (4.4 - 5.25 V)
2	D-	D-
3	D+	D+
4	Earthing	Earthing



Units: Millimeters