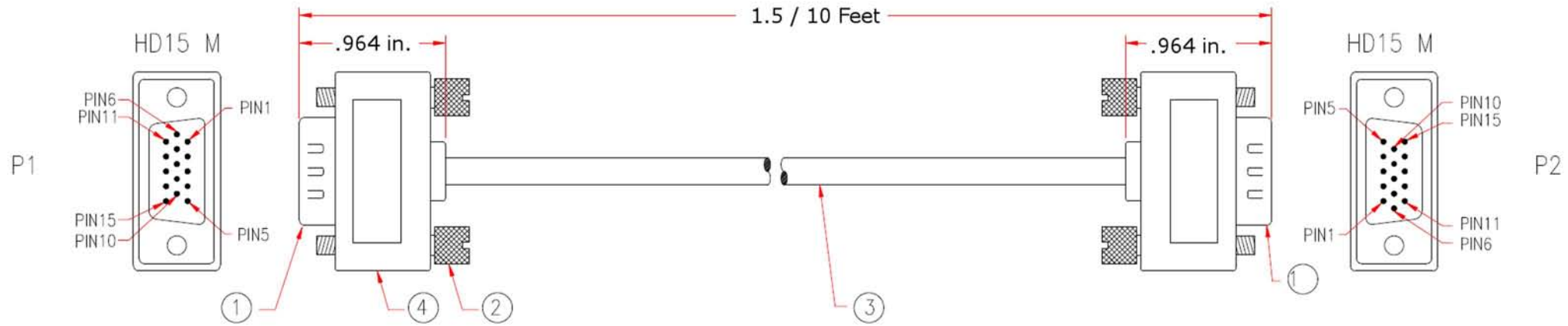


VPI P/N: VEXT-UTHN-xx-MM

(xx= 1.5, 10 Feet)



* NOTE: All relevant materials comply with RoHS directive .

P1		P2	
1	—	1	RED CONDUCTOR
6	—	6	RED SHIELD
2	—	2	GREEN CONDUCTOR
7	—	7	GREEN SHIELD
3	—	3	BLUE CONDUCTOR
8	—	8	BLUE SHIELD
4	—	4	BLACK
5	—	5	BROWN
9	—	9	RED
10	—	10	ORANGE
11	—	11	YELLOW
12	—	12	GREEN
13	—	13	BLUE
14	—	14	PURPLE
15	—	15	GRAY
SHIELD	—	SHIELD	

No.	DESCRIPTION
4	BLACK HEAT SHRINK TUBE $\phi 3.0 \times 5\text{mm}$
	BLACK HEAT SHRINK TUBE $\phi 1.0 \times 5\text{mm}$
	BLACK HEAT SHRINK TUBE $\phi 3.0 \times 10\text{mm}$
	ALUMINUM FOIL 17*65mm
	MOLDED PE COLOR TRANSPARENT
	MOLDED PVC BLACK
3	UL20276 [32AWG(1C+D+FAM)*3C+9C*30AWG]+AL+D+B AMA, OD 4.8mm, JACKET BLACK
2	SCREW #4-40, LENGTH 6.25*25.5mm
1	HD15 MALE WITH THREADED NUT(2pcs) INSIDE, 4.75*5.5mm, GOLD FLASH ON CONTACTS, METALLIZE TYPE, BLUE INSULATOR