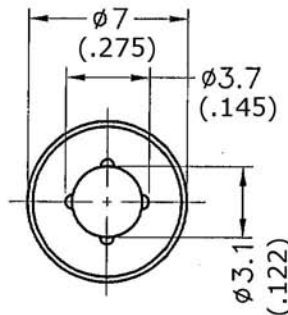
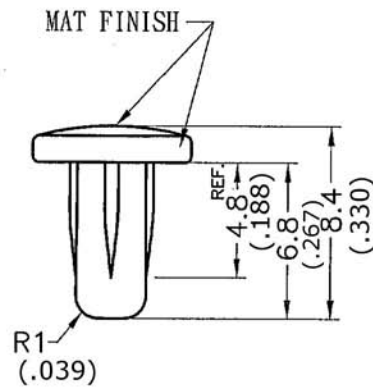


VPI P/N: CVR-SAF



UNITS: Millimeters (Inches)



VIDEO
PRODUCTS
INCORPORATED

1275 Danner Drive Aurora, Ohio 44202
Tel: 330-562-2622 Fax: 330-562-1999
www.vpi.us