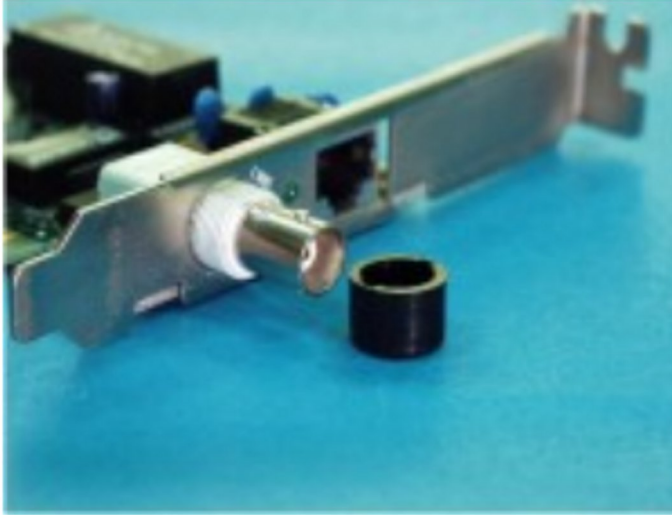


Image

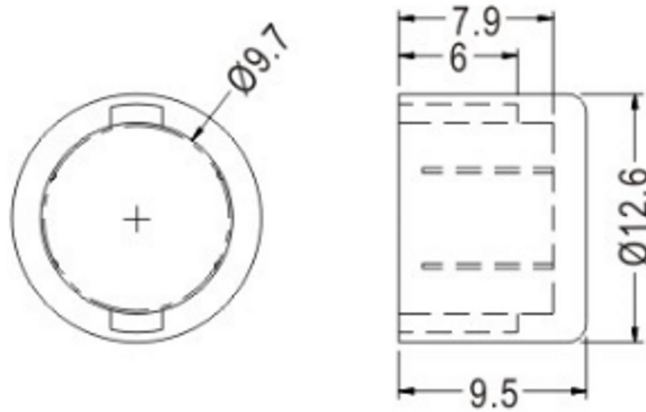


PART NO: CVR-BNCF

- ◆ MATERIAL:PE
- ◆ COLOR:BLACK/GRAY
- ◆ UNIT:mm



Image



**VIDEO
PRODUCTS
INCORPORATED**

1275 Danner Drive Aurora, Ohio 44202
Tel: 330-562-2622 Fax: 330-562-1999
www.vpi.us