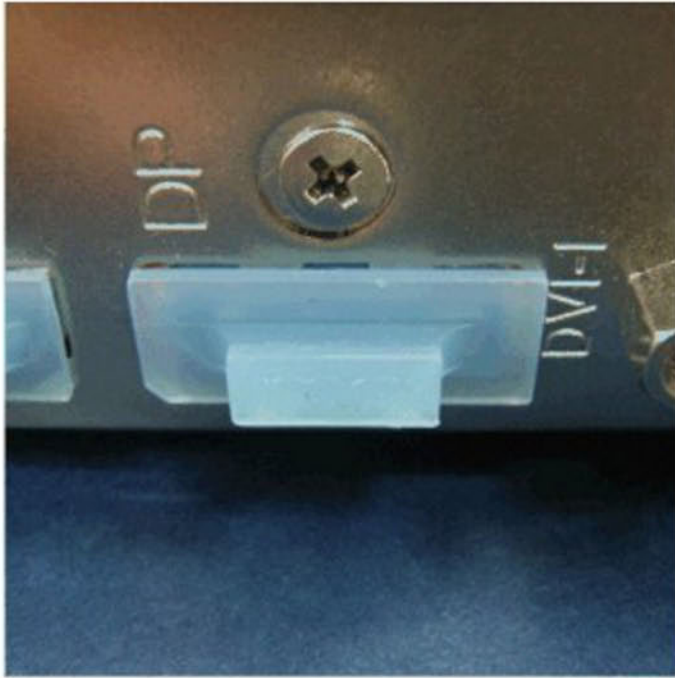


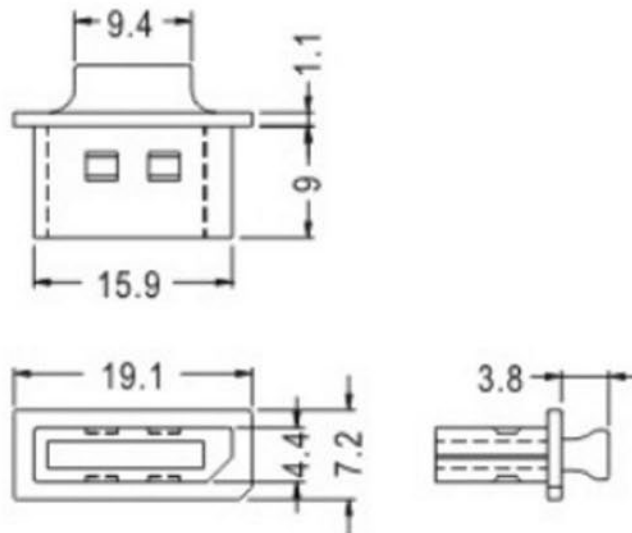
Image



PART NO: CVR-DPF

- ◆ MATERIAL:PE (UL)
- ◆ COLOR:BLACK
- ◆ UNIT:mm

Image



Tolerance:
< 5 mm: ± 0.2 mm
5 - 20 mm: ± 0.3 mm