

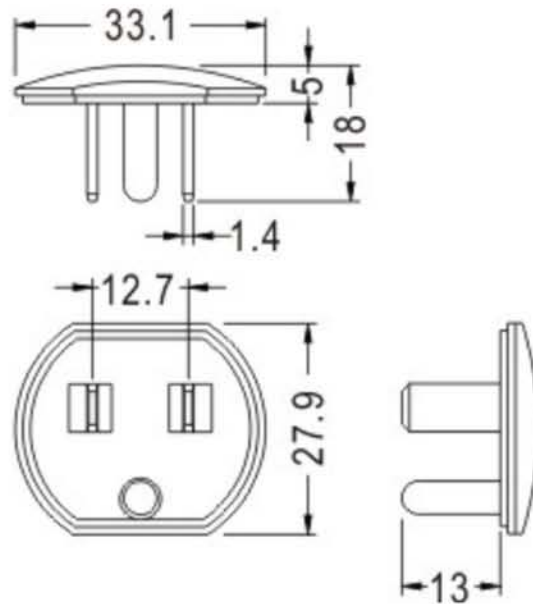
Image



PART NO : CVR-NEMA515R

- ◆ MATERIAL:ABS (UL)
- ◆ FLAME CLASS:94HB
- ◆ COLOR:BLACK
- ◆ UNIT:mm
- ◆ RoHS COMPLIANT

Image



VIDEO
PRODUCTS
INCORPORATED

1275 Danner Drive Aurora, Ohio 44202
Tel: 330-562-2622 Fax: 330-562-1999
www.vpi.us