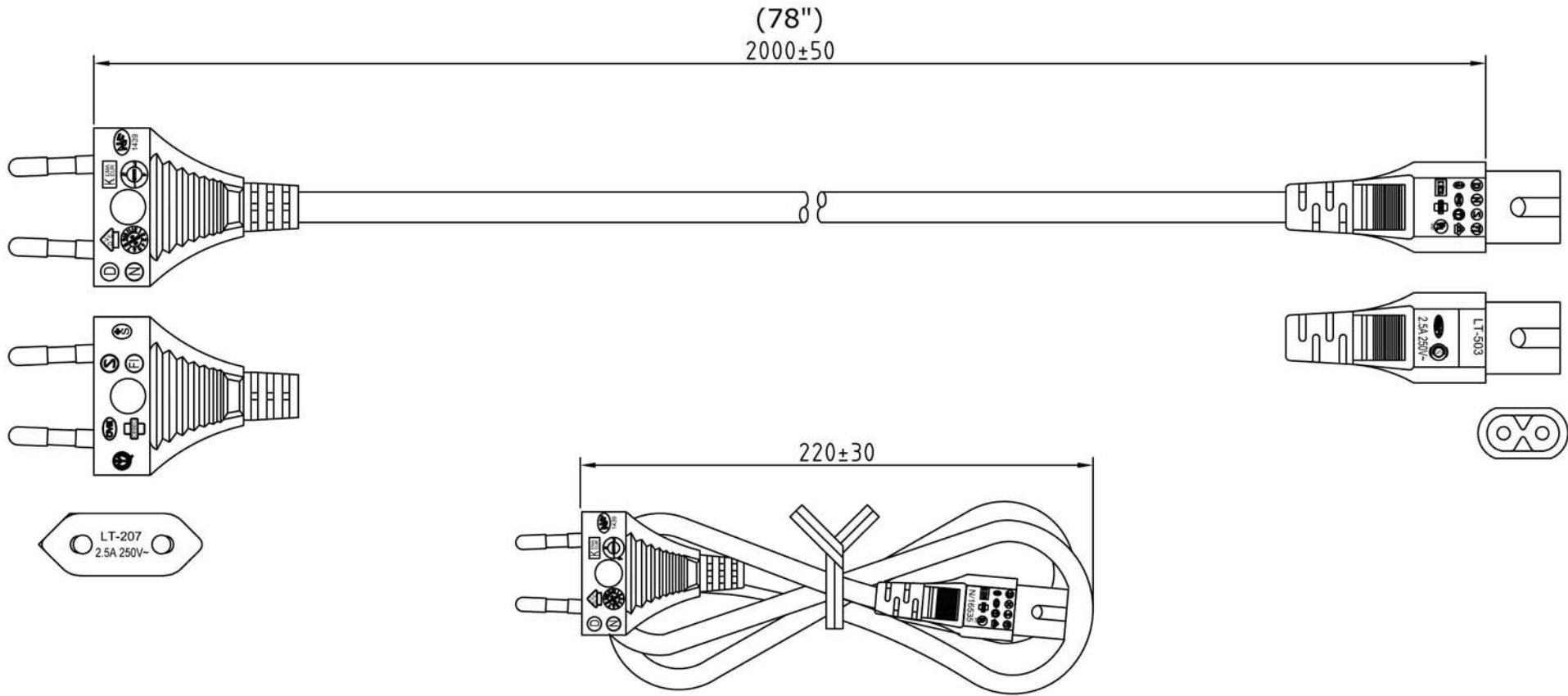


VPI P/N: PWR-CRD18-CEE716C7-2M



NOTE:

1. PLUG : LT-207 EUROPEAN CEE 7/16 Europlug
2. CONNECTOR : LT-503 IEC-320 C7
3. CORD : L. F 0.75/2C BLK 2M
4. APPROVALS :



VPI VIDEO
PRODUCTS
INCORPORATED

1275 Danner Drive Aurora, Ohio 44202
Tel: 330-562-2622 Fax: 330-562-1999
www.vpi.us