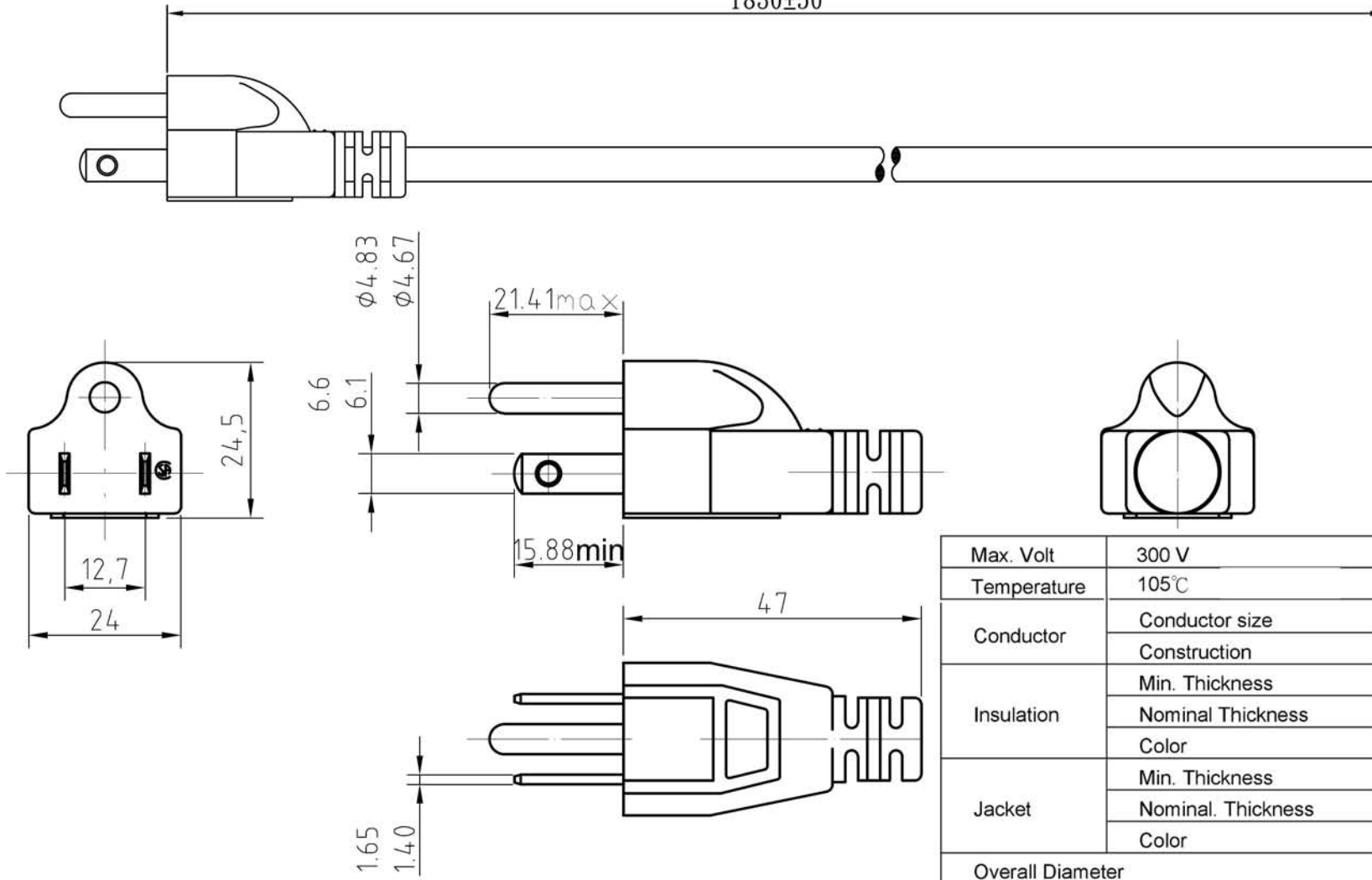


VPI P/N: PWR-CRD18HT-515PROJ-6

(6 FEET)
1830±50



Max. Volt	300 V	
Temperature	105°C	
Conductor	Conductor size	18AWG X 3C
	Construction	41/0.16 or 40/0.162 No./mm
Insulation	Min. Thickness	0.33 mm
	Nominal Thickness	0.38 mm
	Color	Black, White, Green
Jacket	Min. Thickness	0.61 mm
	Nominal. Thickness	0.76 mm
	Color	BLACK
Overall Diameter	6.4±0.2 mm	

UNITS: Millimeters

NOTE :

1. CORD : SVT 18AWG/3C 105D BLK 6ft
2. APPROVAL : C-UL

VPI VIDEO
PRODUCTS
INCORPORATED

1275 Danner Drive Aurora, Ohio 44202
Tel: 330-562-2622 Fax: 330-562-1999
www.vpi.us