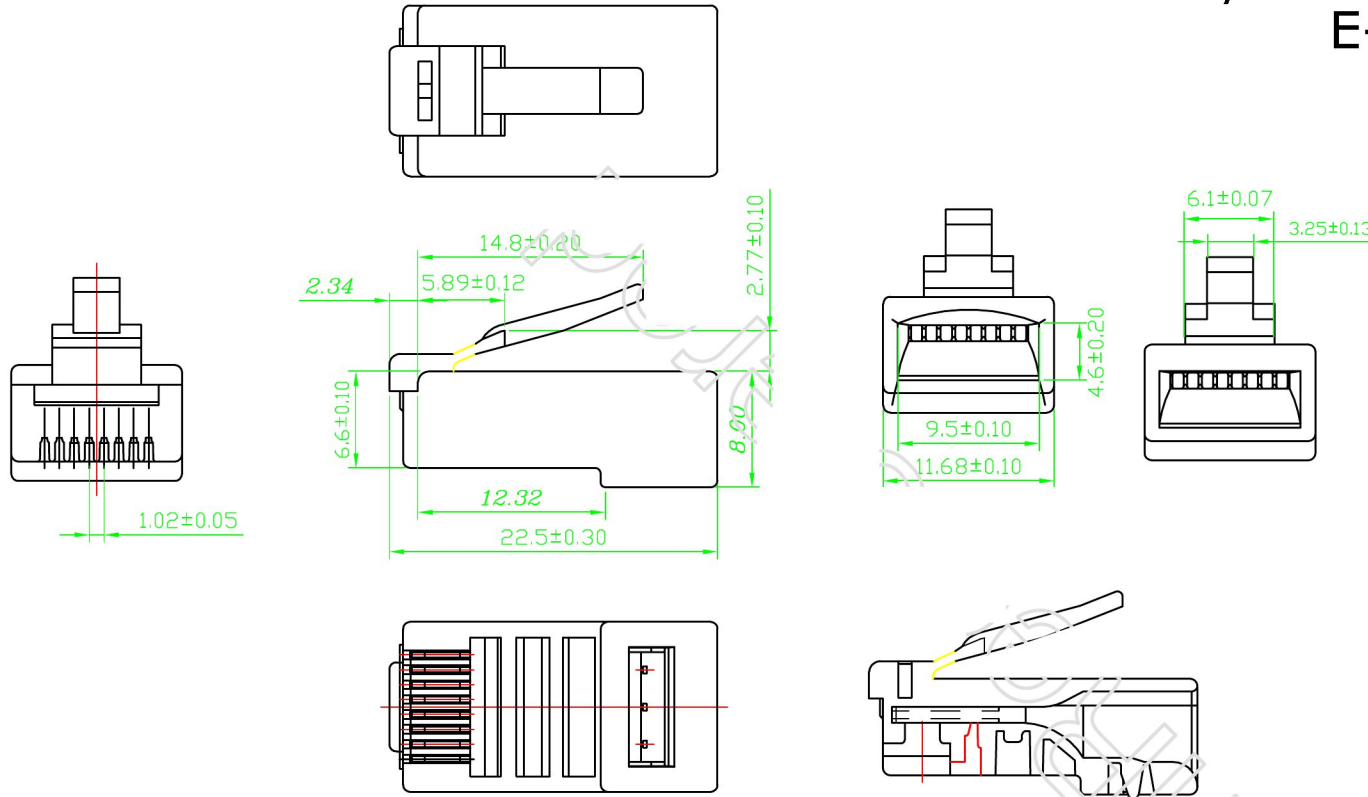


# VPI P/N: E-PLG-STRANDED-SH E-PLG-SOLID-SH



## SPECIFICATIONS

### 1. ELECTRICAL:

UL APPLICATIONS: 250 VOLTS AC MAX., AT 2 AMPS  
 DIELECTRIC WITHSTANDING VOLTAGE : 500 VOLTS AC.  
 INSULATION RESISTANCE: 100 M  $\Omega$  .  
 TERMINATION: RESISTANCE 20m  $\Omega$  MAX AFTER ENVIRONMENTAL TESTING.

### 2. MECHANICAL:

CABLE-TO-PLUG TENSILE STRENGTH : 20kg MIN.  
 DURABILITY : 200 MATING CYCLES.

### 3. MATERIAL & FINISH:

HOUSING: POLYCARBONATE, UL94V-0 OR UL94V-2.  
 COLOR : TRANSPARENT OR OTHER COLOR ARE AVAILABLE.  
 CONTACT BLADE: PHOSPHOR BRONZE.  
 CONDUCTOR : STRANDED & SOLID WIRE , 24AWG, 26 AWG.  
 GOLD PLATING: 3u"-50u", ARE AVAILABLE.

## BLADE:

Type	STRANDED	SOLID
Drawing		

+

UNIT: m/m

**VPI** VIDEO  
 PRODUCTS  
 INCORPORATED

1275 Danner Drive Aurora, Ohio 44202  
 Tel: 330-562-2622 Fax: 330-562-1999  
 www.vpi.us