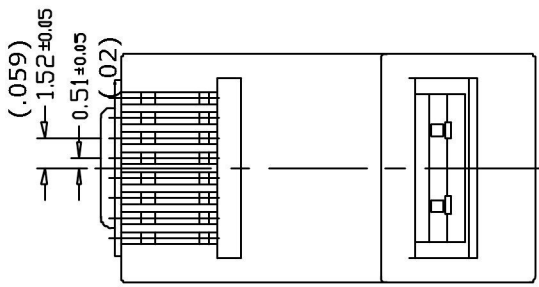
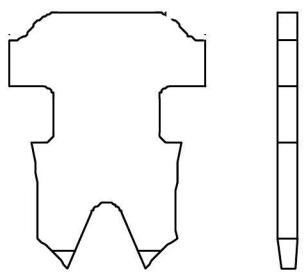
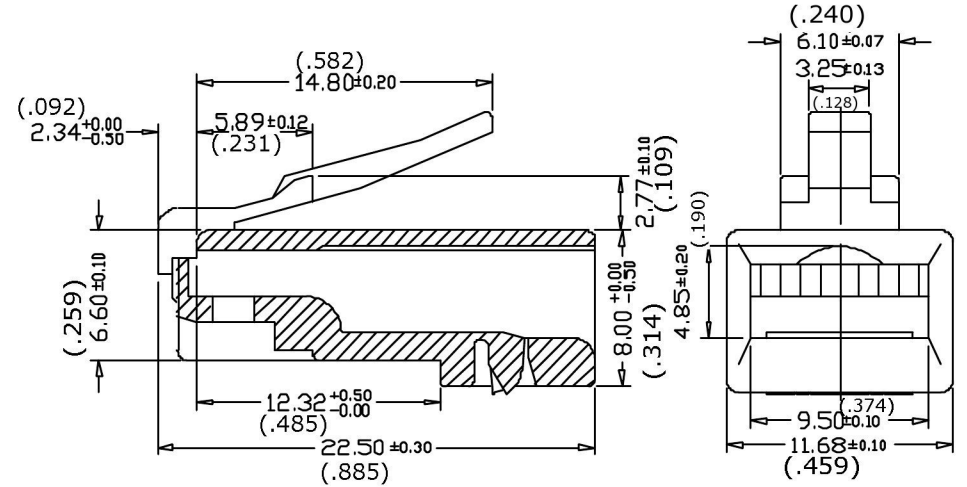
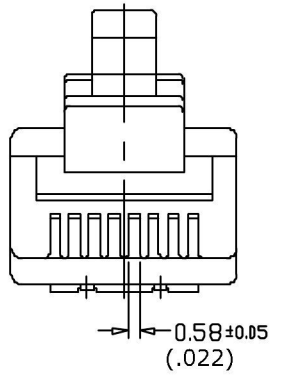


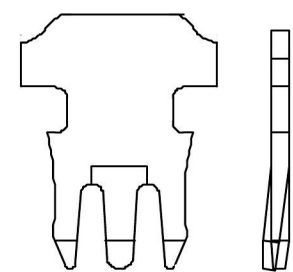
VPI P/N: 6-PLG-STRANDED 6-PLG-SOLID



MP8P8C R



2 PRONGS FOR STRANDED WIRE
(6-PLG-STRANDED)



3 PRONGS FOR SOLID WIRE(S)
(6-PLG-SOLID)

UNIT = mm (Inch)



1275 Danner Drive Aurora, Ohio 44202
Tel: 330-562-2622 Fax: 330-562-1999
www.vpi.us