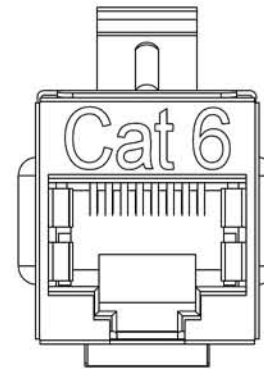
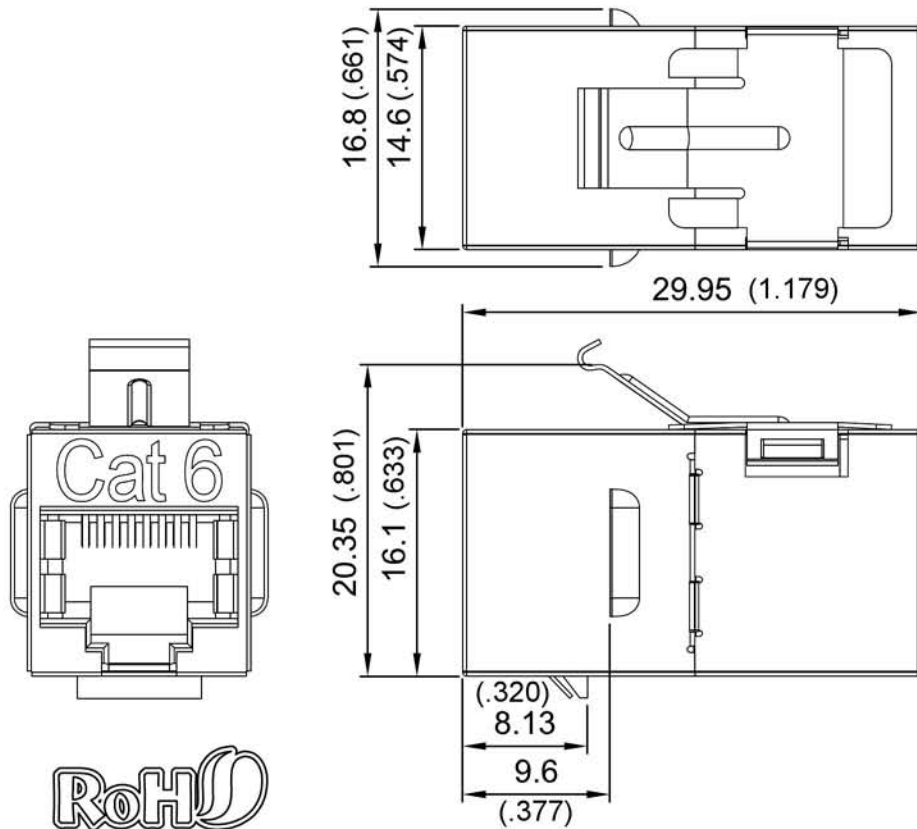
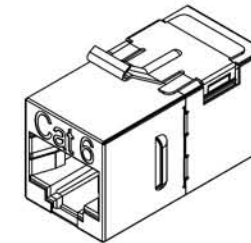
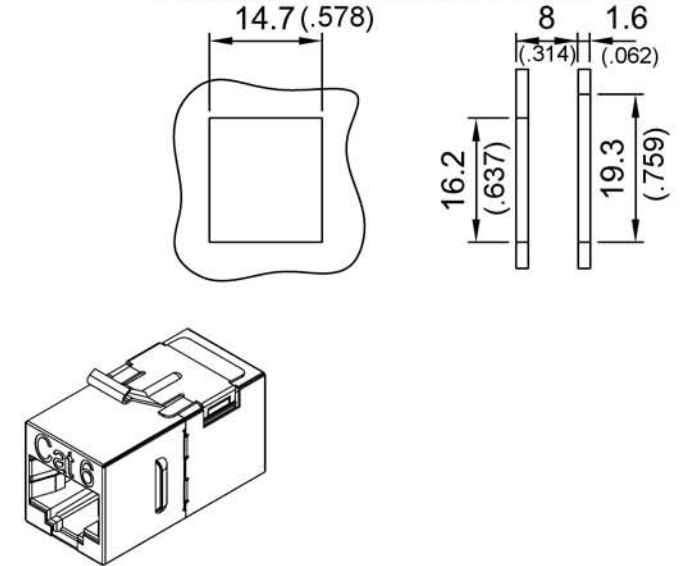


VPI P/N: RJ45-6-FF-SNP-SHLD



SUGGESTED MOUNTING CUTOUT



**MATERIAL**

SHIELDED CASE : COPPER C2680, T=0.25MM, 30U" NICKEL PLATED.  
 BRACKET : SUS304.  
 COUPLER HOUSING : ABS HIGH-IMPACT UL94V-0 THERMOPLASTIC.  
 CONTACT HOLDER : PBT HIGH-IMPACT UL94V-0 THERMOPLASTIC, 30% GLASS FIBER FILLED.  
 SPRING WIRE : PHOSPHOR BRONZE 5100W TEMPER WIRE, Φ=0.45MM, 50U" GOLD OVER 100U" NICKEL UNDERCOAT.

**PHYSICAL CHARACTERISTICS**

INSERTION LIFE : 750 MATING CYCLES WITH FCC COMPLIANT RJ-45 PLUG.  
 CONTACT FORCE : 100 GRAMS WITH FCC COMPLIANT RJ-45 PLUG.  
 PLUG RETENTION FORCE : 11 LBF MIN.  
 OPERATING TEMPERATURE RANGE : -10 °C TO 60 °C.  
 STORAGE TEMPERATURE RANGE : -40 °C TO 68 °C.  
 HUMIDITY : 10%~90%RH.

**ELECTRICAL**

INSULATION RESISTANCE : 500 MΩ.  
 DIELECTRIC WITHSTANDING VOLTAGE : 1000 V AC.  
 DC CURRENT RATING : 1.5 Amps.  
 DC RESISTANCE : 0.1Ω.  
 CONTACT RESISTANCE : 20mΩ.

UNITS: mm (Inch)



1275 Danner Drive Aurora, Ohio 44202  
 Tel: 330-562-2622 Fax: 330-562-1999  
 www.vpi.us