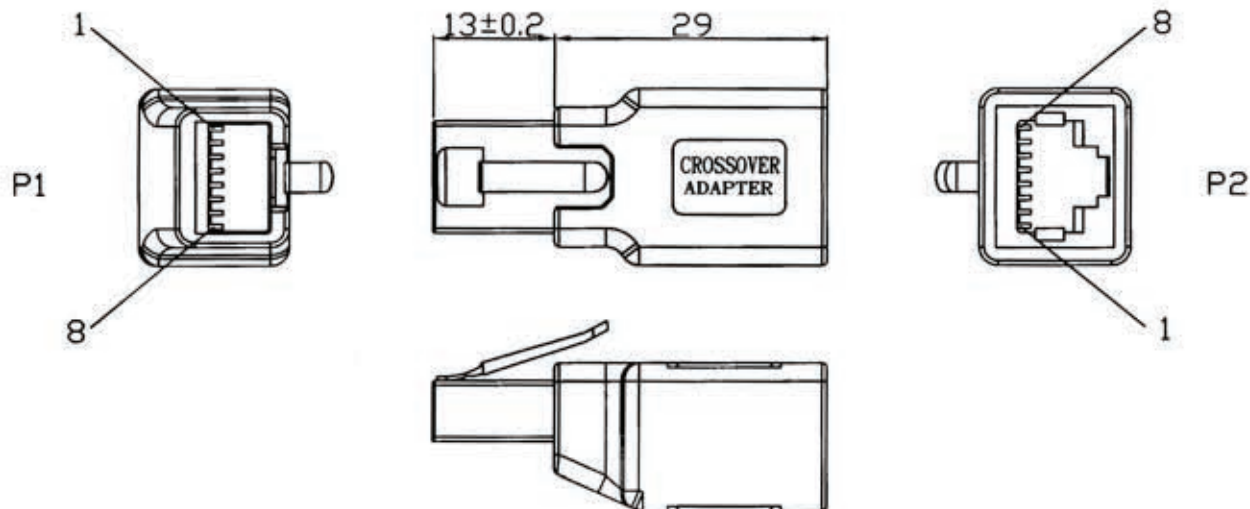


# ROHS-COMPLIANT

VPI P/N: CAT5-CO-MF  
CAT5-CO-MF-BLUE



## PIN OUT

P1		P2
1	—	3
2	—	6
3	—	1
6	—	2
4	—	4
5	—	5
7	—	7
8	—	8

### NOTE:

1.HOOK-UP WIRE: NON-UL 28AWG(7/0.127)T.C

### 2.CONNECTOR:

P1: RJ45 8P8C PLUG CONTACT: G/F .

P2: RJ45 10P8C JACK CONTACT: G/F .

3.HOOD: MOLDED TYPE, PVC 45P, COLOR: RED,BLUE

4.ELECTRICAL TEST: 100% OPEN SHOR & MIS WIRE TEST .  
CONTACT RESISTANCE 3Ω MAX .  
INSULATION RESISTANCE 10MΩ MIN .

UNIT: millimeters

**VPI** VIDEO  
PRODUCTS  
INCORPORATED

1275 Danner Drive Aurora, Ohio 44202  
Tel: 330-562-2622 Fax: 330-562-1999  
www.vpi.us