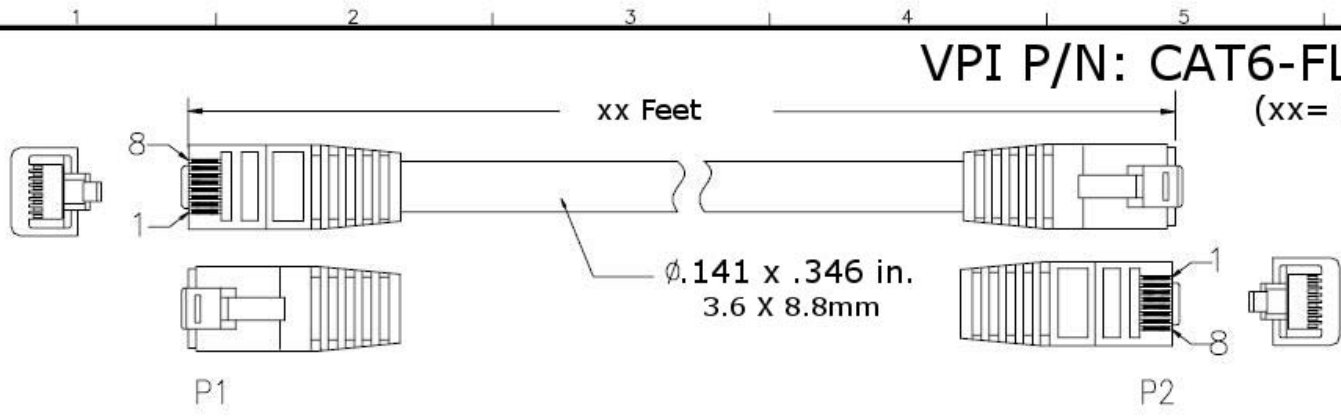
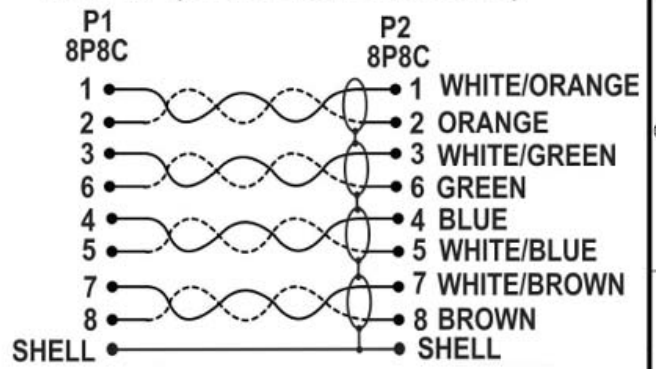


# VPI P/N: CAT6-FLT-xx-BLACK-SHLD

(xx= 1/3/5/7/10/14 /50 feet)



## PINOUT: (TIA/EIA 568B Standard)



### NOTES:

- 1) SHORT AND OPEN 100% TESTING.  
CONDUCTOR RESISTENCE 5 Ω  
INSULATION RESISTENCE 20M Ω  
HI-POT:DC250V
- 2) RoHS Compliant

3	OUTER JACKET PVC 60PA <b>BLACK</b>
2	RJ45 8P8C PLUG SHORT BODY 3U"
1	CAT.6 STP FLAT CABLE 28#4P STRANDED OD:3.6*8.8MM <b>BLACK</b>

**VPI** VIDEO PRODUCTS INCORPORATED

1275 Danner Drive Aurora, Ohio 44202  
Tel: 330-562-2622 Fax: 330-562-1999  
www.vpi.us