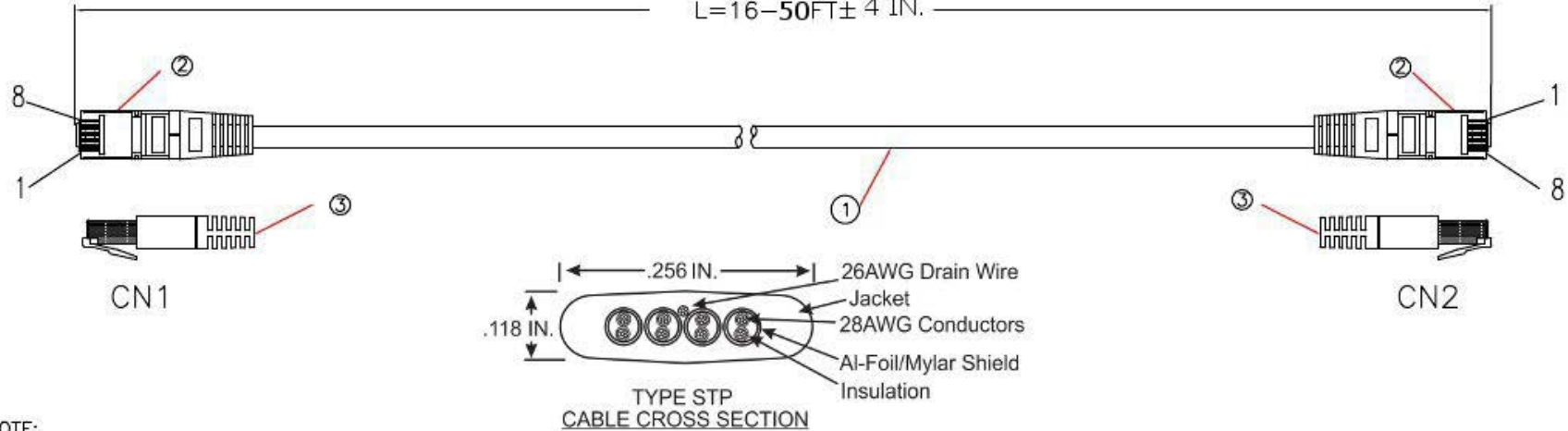


VPI P/N: CAT5E-SF-xx-BLACK-SHLD-IND

L=1-15FT± 2 IN.

L=16-50FT± 4 IN.



NOTE:

1.CABLE: UL2725 (7/0.127TA*1PR+A)*4K+E, FLAT STP CABLE

COLOR: BLACK

MARKING: LAWM E101344-D 2725 VW-1 80°C 30V Video Products Inc WWW.VPI.US

CONDUCTORS: 28AWG TWISTED PAIR

DRAIN WIRE: 26AWG

2.CONNECTOR: RJ45,8P8C, WHOLE COVERED 50u" GOLD PLATED CONTACT.

3.STRAIN RELIEF: PVC, 30P COLOR: BLACK

ELECTRIC TEST:

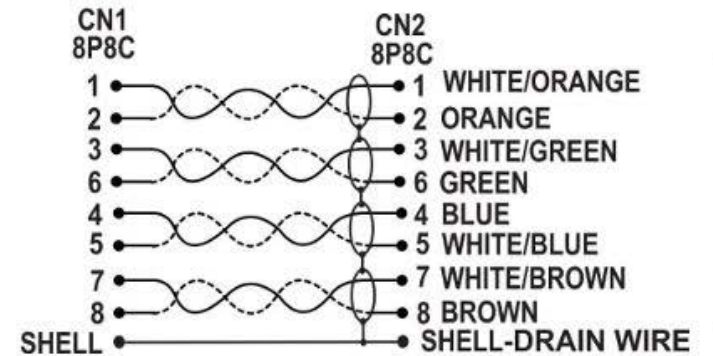
A.OPEN/SHORT/INTERMITTENCE: 100%.

B.HI-POT: 300V AC/sec

C.INSULATION RESISTANCE: 20M ohm (MIN)

D.CONDUCTIVE RESISTANCE: 2 ohm (MAX)

PINOUT:



VPI VIDEO
PRODUCTS
INCORPORATED

1275 Danner Drive Aurora, Ohio 44202
Tel: 330-562-2622 Fax: 330-562-1999
www.vpi.us