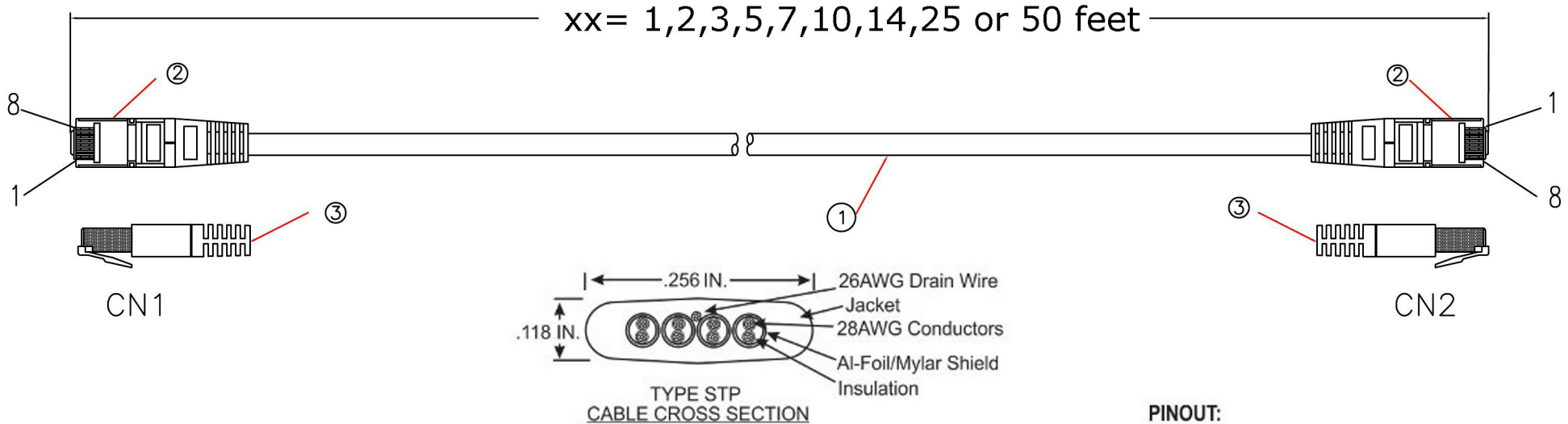


CAT5E-SF-xx-SHLD



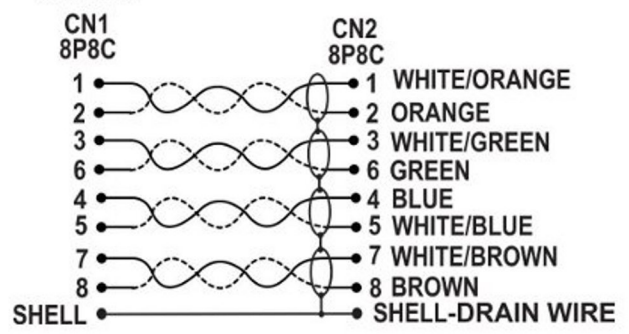
NOTE:

- 1. CABLE: UL2725 (7/0.127TA*1PR+A)*4K+E, FLAT CABLE. OD: 2.7±0.15*6.5±0.19MM
 COLOR: BLACK(P001) W95102605
 MARKING: UL Required markings + Video Products Inc WWW.VPI.US
- 2. CONNECTOR: RJ45, 8P8C, WHOLE COVERED 50u" GOLD PLATED CONTACT.
 (Coble #TC6T6B-0E + SR0815 (Liner / MGT8ST))
- 3. STRAIN RELIEF: PVC, 30P COLOR: BLACK(V398).

ELECTRIC TEST:

- A. OPEN/SHORT/INTERMITTENCE: 100%.
- B. HI-POT: 300V AC/sec
- C. INSULATION RESISTANCE: 20M ohm (MIN)
- D. CONDUCTIVE RESISTANCE: 2 ohm (MAX)

PINOUT:



Tolerance:

- L=1-15FT ± 2 IN.
- L=16-49FT ± 4 IN.
- L=50-150FT ± 6 IN.

Rev 9/24/14



VIDEO PRODUCTS INCORPORATED

1275 Danner Drive Aurora, Ohio 44202
 Tel: 330-562-2622 Fax: 330-562-1999
 www.vpi.us