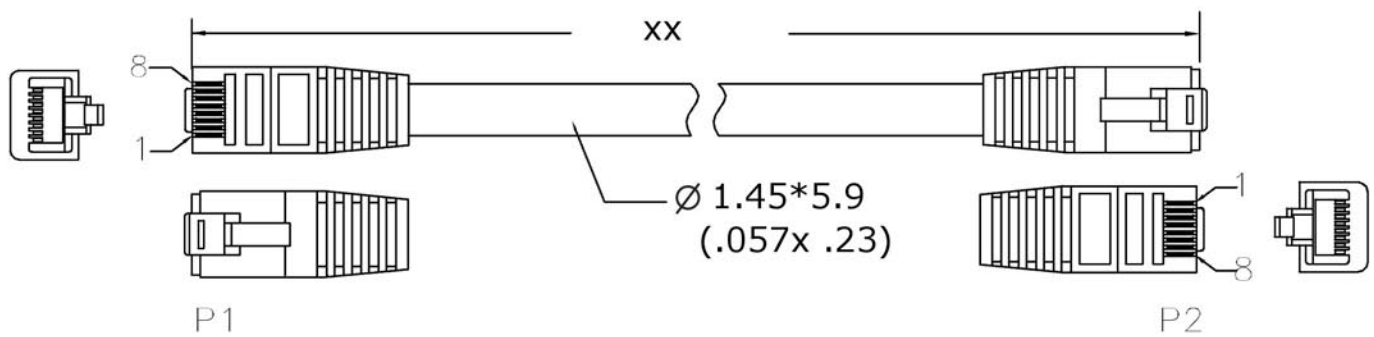


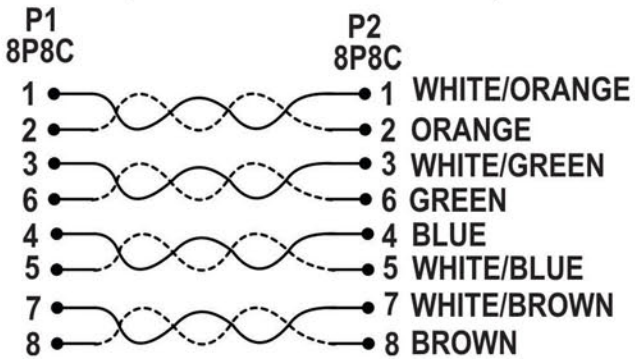
VPI P/N: CAT5E-SF32-xx-BLACK

(xx= 2,3,5,10,14,or 25 Feet)



Length (Feet)	Tolerance in inches
2	0.78
3	0.78
5	0.78
10	1.18
14	1.18
25	1.97

PINOUT: (TIA/EIA 568B Standard)



Bandwidth= 125Mhz
 Characteristic Impedance= 100 ohms +/- 10 ohms
 UNITS: Millimeters (Inches)

3	OUTER JACKET PVC 60PA BLACK
2	RJ45 8P8C PLUG 3U" OD:8.0*1.3 UTP CABLE
1	CAT5E UTP FLAT CABLE 32#4P STRANDED OD:1.45*5.9MM BLACK



1275 Danner Drive Aurora, Ohio 44202
 Tel: 330-562-2622 Fax: 330-562-1999
 www.vpi.us