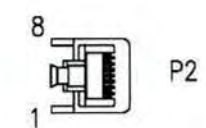
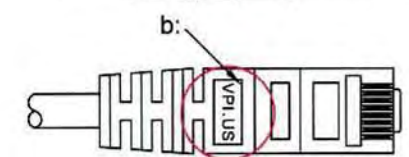
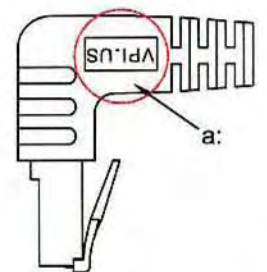
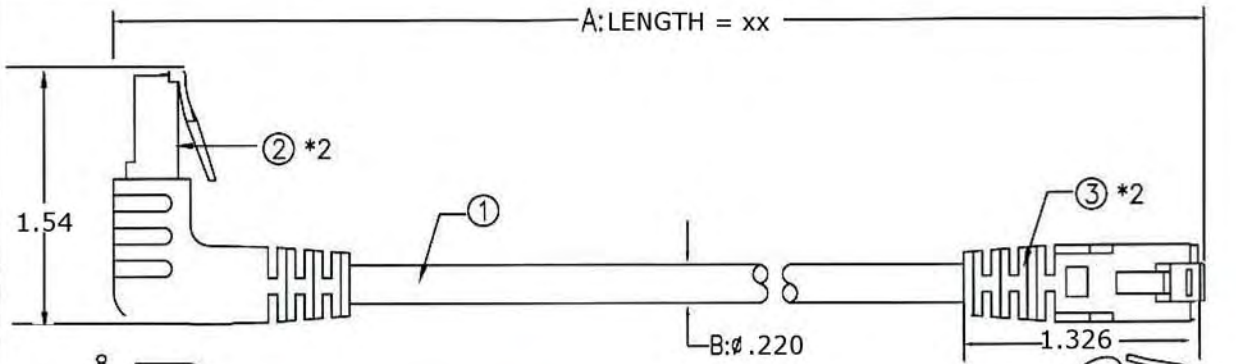
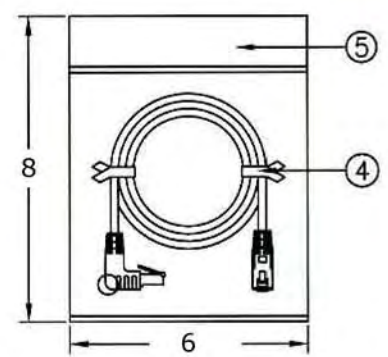
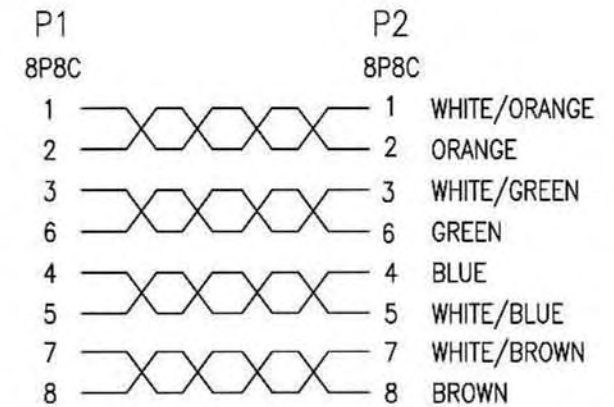


Part #: CAT6-UAS-x-GRAY



PINOUT:



NOTES:

- 1) PRIMARY DIM:A
- 2) T568B
- 3) P1 DIE NO.:OU08036; P2 DIE NO.:OU08046
- 4) 1PCS/PE BAG
- 5) RoHS COMPLIANT
- 6) P1 P2 VPI.US

3	OUTER JACKET PVC 60Pd GRAY (2001) (RoHS)
2	RJ45 8P8C PHONE PLUG 15U" GOLD HALF ROUND UN/SHIELD (RoHS)
1	CAT6 UTP CABLE 24#4P STRANDE TYPE OD: .220 GRAY (1101) 660MM (RoHS)

UNITS = INCHES



1275 Danner Drive Aurora, Ohio 44202
 Tel: 1-800-626-7801 Fax: 330-562-1999
 www.vpi.us sales@vpi.us