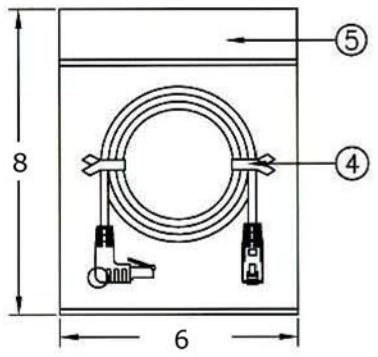
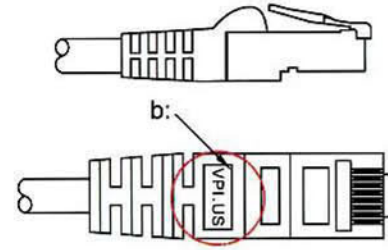
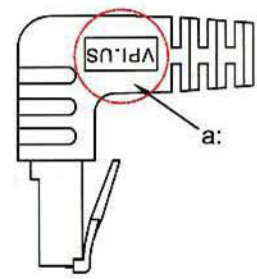
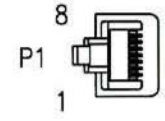
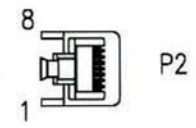
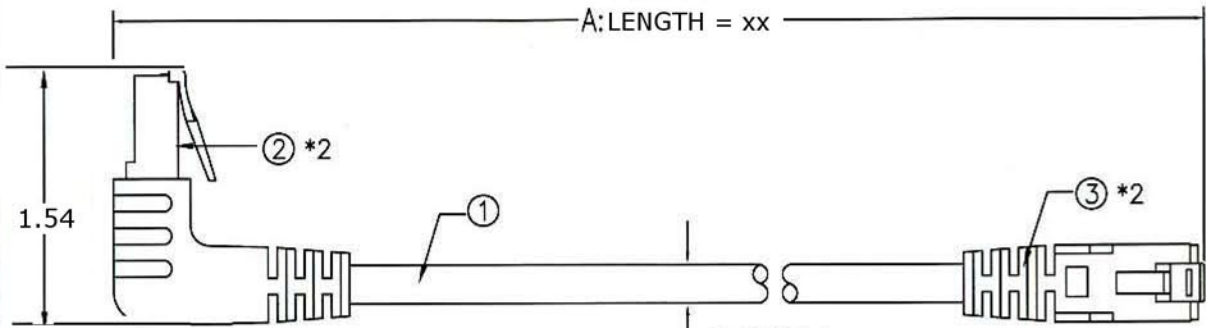
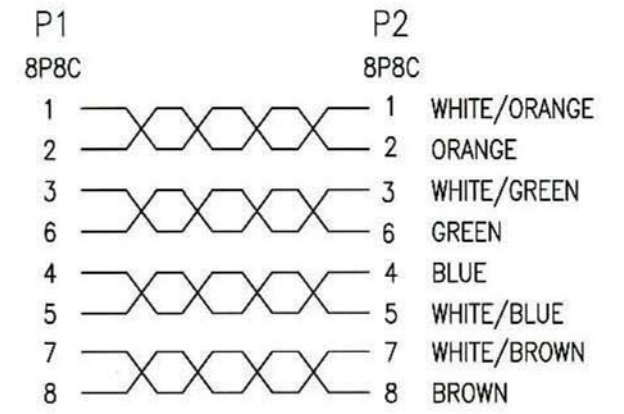


VPI P/N: CAT5E-UAS-xx-COLOR

Length	Tolerance
2 ft	+/- 20mm (.787 in.)
6 ft	+/- 30mm (1.181 in.)
9 ft	+/- 30mm (1.181 in.)
10 ft	+/- 30mm (1.181 in.)



PINOUT:



NOTES:

- 1) PRIMARY DIM:A
- 2) T568B
- 3) P1 DIE NO.:OU08078; P2 DIE NO.:OU08001
- 4) 1PCS/PE BAG
- 5) RoHS COMPLIANT
- 6) P1 P2 VPI.US

3	OUTER JACKET PVC 60Pd GRAY (1101) (RoHS)
2	RJ45 8P8C PHONE PLUG 15U" GOLD HALF ROUND UN/SHIELD (RoHS)
1	CAT.5E UTP CABLE 24#4P STRANDE TYPE OD:.216 GRAY (1101) 660MM (RoHS)

UNITS = INCHES



1275 Danner Drive Aurora, Ohio 44202
 Tel: 1-800-626-7801 Fax: 330-562-1999
 www.vpi.us sales@vpi.us