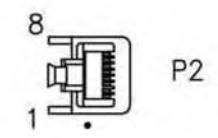
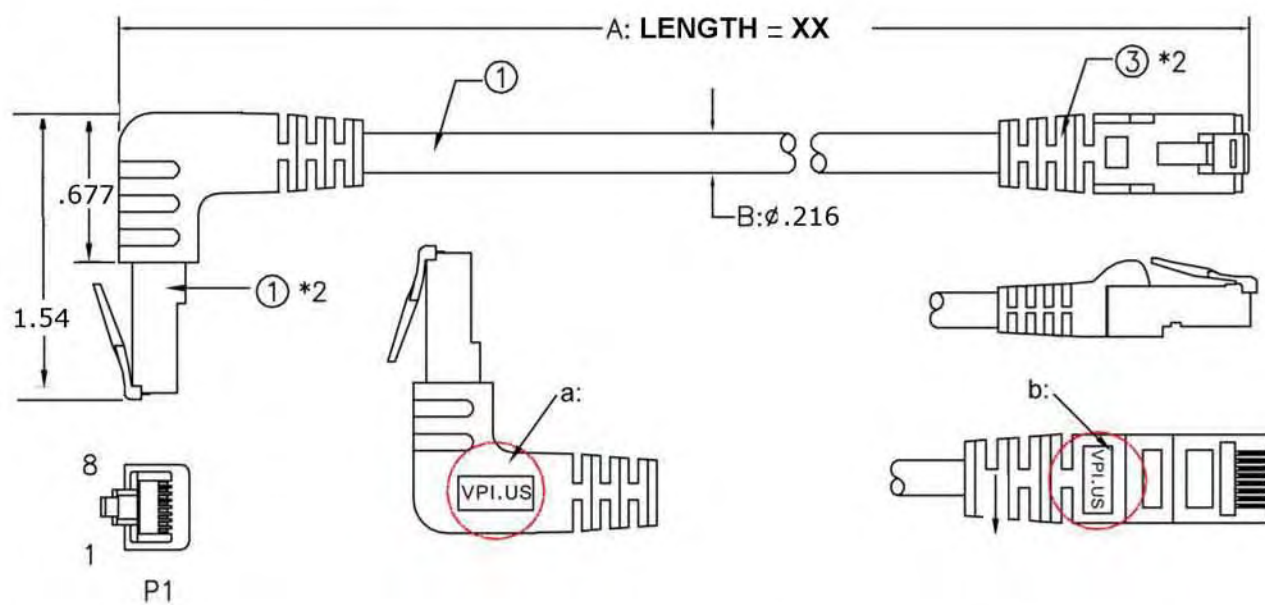
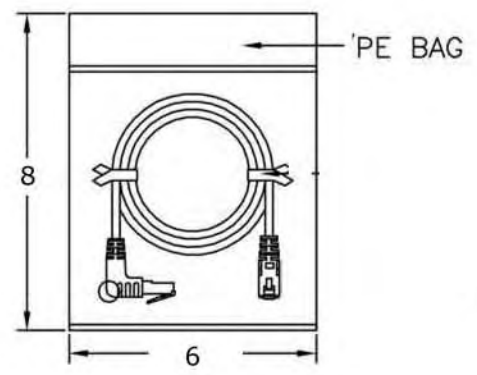
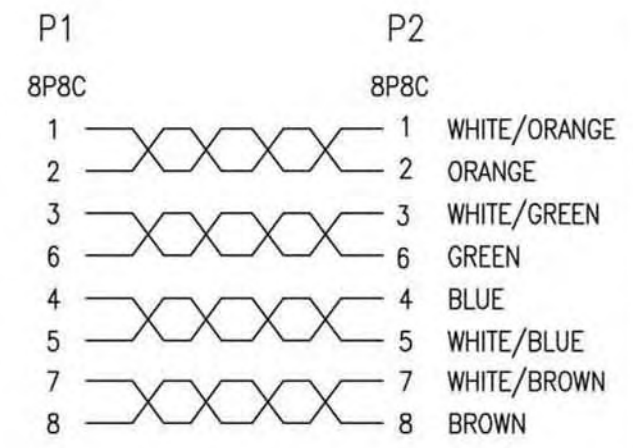


PART#: CAT5E-DAS-x-GRAY



PINOUT:



- NOTES:
- 1) PRIMARY DIM: A
 - 2) T568B. DIE NO.:OW08015
 - 3) 1PC/PE BAG.
 - 4) RoHS COMPLIANT.
 - 5) PRINTING:VPI.US(a:&b:)

UNITS= INCHES

3	OUTER JACKET PVC 100Pd GRAY (RoHS)
2	RJ45 8P8C PHONE PLUG 50U" GOLD HALF ROUND UN/SHIELD (RoHS)
1	CAT.5E UTP CABLE 24#4P STRANDED TYPE OD:.216 (RoHS)

VPI VIDEO PRODUCTS INCORPORATED

1275 Danner Drive Aurora, Ohio 44202
 Tel: 1-800-626-7801 Fax: 330-562-1999
 www.vpi.us sales@vpi.us