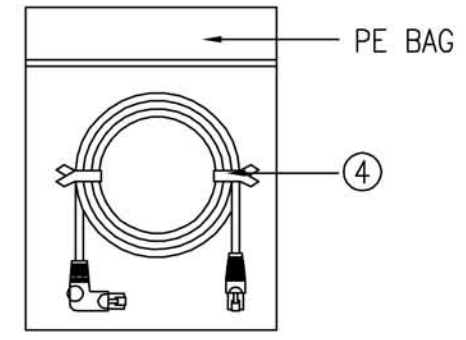
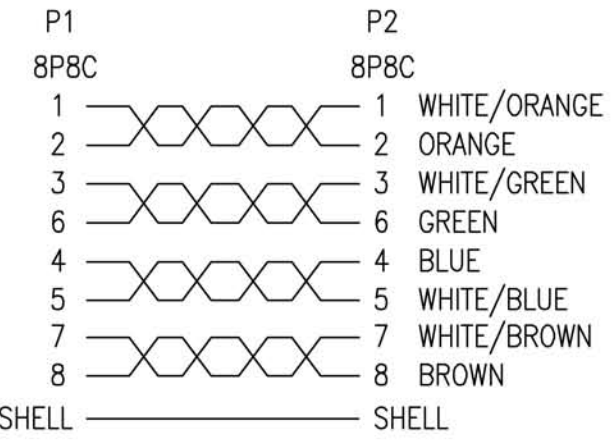


PINOUT:



NOTES:

- 1) PRIMARY DIM:A
- 2) P2 DIE NO.:OW08013
- 3) 1PCS/PE BAG
- 4) RoHS COMPLIANT

|   |   |
|---|---|
| 3 | OUTER JACKET PVC 100Pa GRAY(2001) (RoHS)                                    |
| 2 | RJ45 8P8C PLUG GOLD 15U"SHORT TYPE W/SHIELD HALF ROUND (RoHS)               |
| 1 | CAT.6 FTP CABLE 26#4P STRANDED TYPE OD:6.5MM GRAY(2001) XXXXMM W/"+" (RoHS) |



1275 Danner Drive Aurora, Ohio 44202  
 Tel: 1-800-626-7801 Fax: 330-562-1999  
 www.vpi.us sales@vpi.us