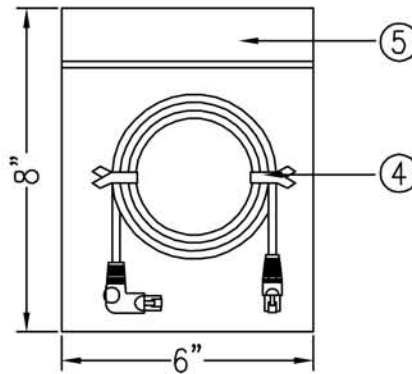


PINOUT:

P1	P2
8P8C	8P8C
1	1 WHITE/ORANGE
2	2 ORANGE
3	3 WHITE/GREEN
6	6 GREEN
4	4 BLUE
5	5 WHITE/BLUE
7	7 WHITE/BROWN
8	8 BROWN
SHELL	SHELL

NOTES:

- 1) PRIMARY DIM:A
- 2) P2 DIE NO.:0W08013
- 3) 1PCS/PE BAG
- 4) RoHS COMPLIANT



3	OUTER JACKET PVC 100Pa GRAY(2001) (RoHS)
2	RJ45 8P8C PLUG GOLD 15U"SHORT TYPE W/SHIELD HALF ROUND (RoHS)
1	CAT.5E FTP CABLE 26#4P STRANDED TYPE OD:6.0MM GRAY(2001) 660MM (RoHS)



1275 Danner Drive Aurora, Ohio 44202
 Tel: 1-800-626-7801 Fax: 330-562-1999
 www.vpi.us sales@vpi.us