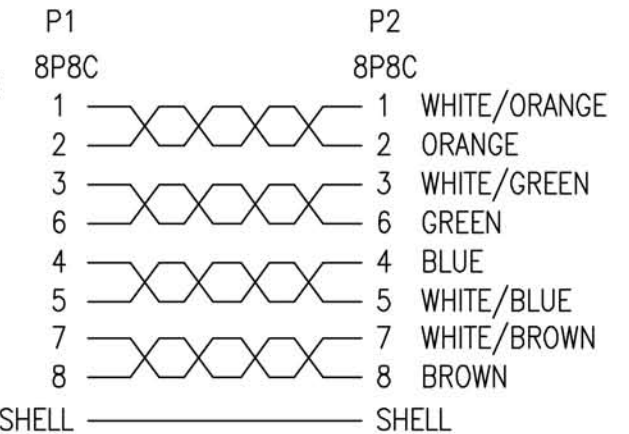
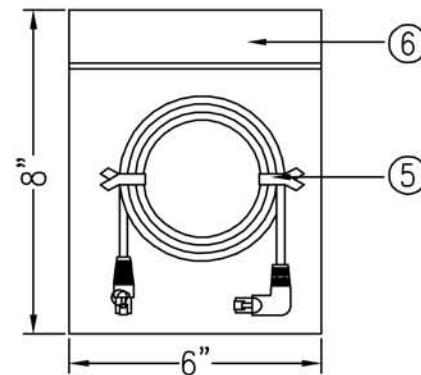


PINOUT:



NOTES:

- 1) PRIMARY DIM:A
- 2) P1 DIE NO.:OW08013
- 4) 1PCS/PE BAG
- 5) RoHS COMPLIANT



3	OUTER JACKET PVC 100Pa GRAY(2001) (RoHS)
2	RJ45 8P8C PLUG GOLD 15U" SHORT TYPE W/SHIELD HALF ROUND (RoHS)
1	CAT.5E FTP CABLE 26#4P STRANDED TYPE OD:6.0MM GRAY(2001) 660MM (RoHS)

**VPI VIDEO PRODUCTS INCORPORATED**  
 1275 Danner Drive Aurora, Ohio 44202  
 Tel: 1-800-626-7801 Fax: 330-562-1999  
 www.vpi.us sales@vpi.us