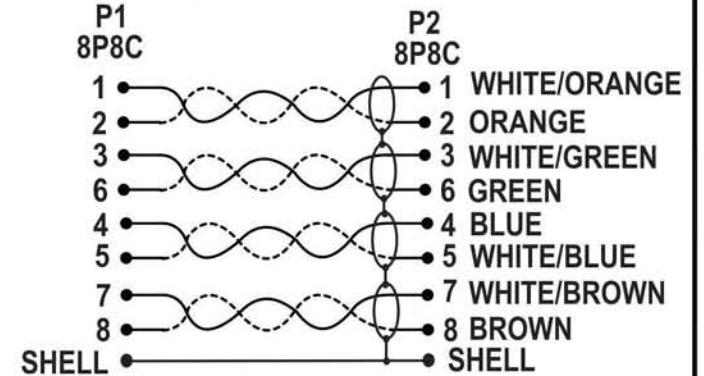
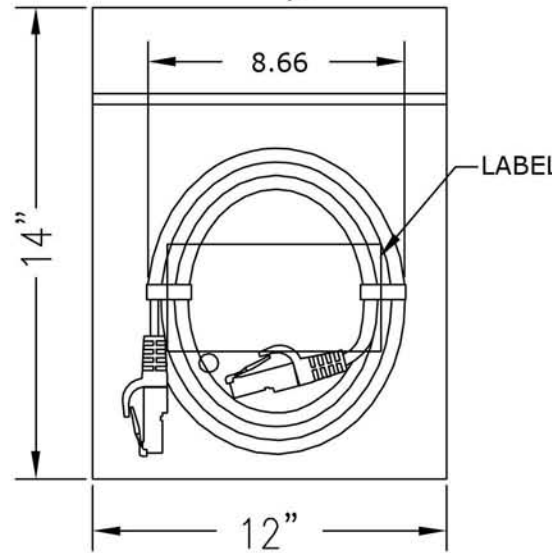


LABEL
 P/N: CD6352
 25FT Cat.7 STP Flat Cable
 RoHS Compliant

PINOUT: (TIA/EIA 568B Standard)



NOTE: SHORT AND OPEN 100% TESTING
 CONDKUCTOR RESISTANCE 2Ω
 INSULATION RESISTANCE $20M\Omega$
 HI-POT: DC250V



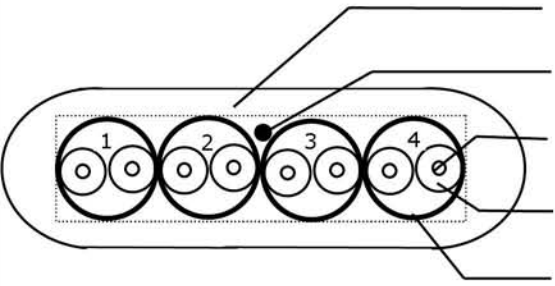

DIMENSIONS ARE IN INCHES

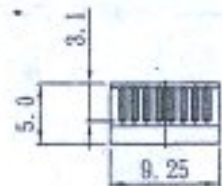
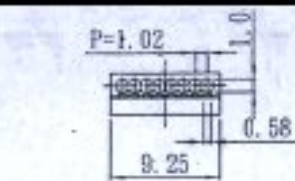
3	OUTER JACKET PVC 45Pa GRAY(2001) (RoHS)
2	RJ45 8P8C PLATEK GOLD 50U" SHELL GOLD FLASH FOR STP 2PIECES FLAT CABLE (RoHS)
1	CAT.7 STP FLAT CABLE(27#1P+AL)*4+D STRANDED TYPE OD: .157*.382 GRAY (RoHS)



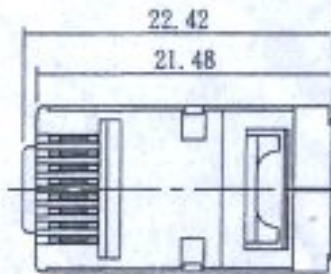
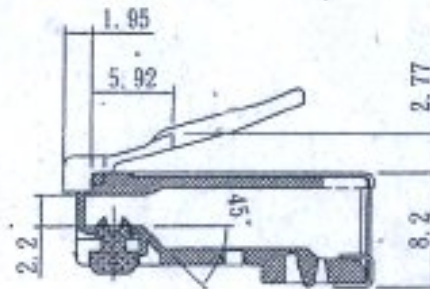
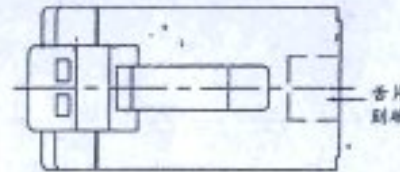
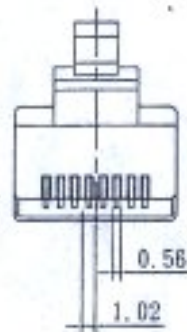
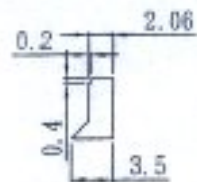
**VIDEO
 PRODUCTS
 INCORPORATED**

1275 Danner Drive Aurora, Ohio 44202
 Tel: 330-562-2622 Fax: 330-562-1999
 www.vpi.us

SPECIFICATION:		(1P*27AWG+AL)*4C+D		CONSTRUCTION D.W.G	
ITEM		SPECIFICATION			
CONDUCTOR	AWG	27AWG			
	MATERIAL	TINNED COPPER			
	COND.SIZE	7/0.14±0.008 mm			
INSULATION	MIN.AVG.THICK	0.28 mm			
	MATERIAL	FM-PE+ Skin			
	O . D	1.05±0.05 mm			
Face Outside AL.MYLAR	N O.	1P			
	COVERAGE	100%			
	OVERLAP	25%MIN			
DRAIN	AWG	28AWG			
	MATERIAL	TINNED COPPER			
	SIZE	7/0.127± 0.008 mm×1PC			
JACKET	MIN.AVG.THICK	0.38 mm		COLOUR CODE: 4P:1.WHITE*ORAGNE 2.WHITE*GREEN 3.WHITE*BLUE 4.WHITE*BROWN	
	MATERIAL	HALF MATT PVC LOW TOXIC			
	COLOUR	UL833 GRAY(2001)			
	O D	4.00(±0.15 mm)*9.70(±0.20 mm)			
				MARKING	
				E244650 (UL) TYPE CM 27AWG/4PRS STP CAT.7 CABLE	
				REMARK	
				BLACK MARKING P/N:7406-0612	
ELECTRICAL CHARACTERISTICS		PHYSICAL PROPERTIES OF JACKET		<h1>CAT7-FLT-XX-GRAY</h1>	
1. Rating : TEMP 60 °C ; VOLTAGE 30 V		1. Flexibility test: NO CRACKING			
2. Conductor Resistance: at 20°C MAX 28 AWG:237.25 Ω/km;		2. Flame test: PASS Horizontal flame			
3. Insulation Resistance: 10MΩ-km min at 20°C dc 500V.(EIA-364-21)					
4. Dielectric Strength: AC 500V/1minute no breakdown. (EIA-364-20)					
				1275 Danner Drive Aurora, Ohio 44202 Tel: 330-562-2622 Fax: 330-562-1999 www.vpi.us	



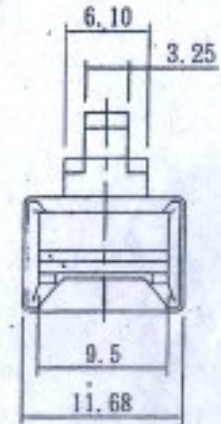
Insert



Housing

MECHANICAL:

1. Housing Material: Polycarbonate. UL 94V-2. NO Poison
2. Material Contact: 50" Below Brass.
150" Above Phosphor Bronze.
3. Material Shell: Brass.
4. Contact area plated gold over 30"/60"/150"/
300" and 500", the other area plated gold over 50"
the other area plated Nickel over 300".
5. Contact area plated Nickel over 600",
the other area plated Nickel over 300".
6. Housing Color: Transparence.
7. Operation Temperature: -40°C to 80°C.



NOTE TOL: ±0.1

ALL DIMENSIONS ARE IN MILLIMETERS