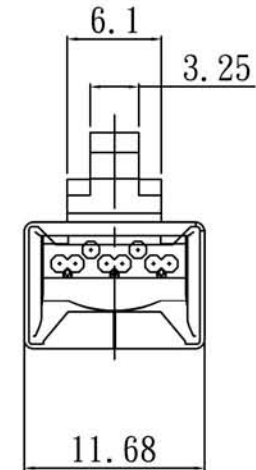
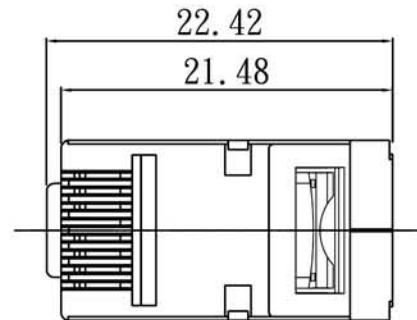
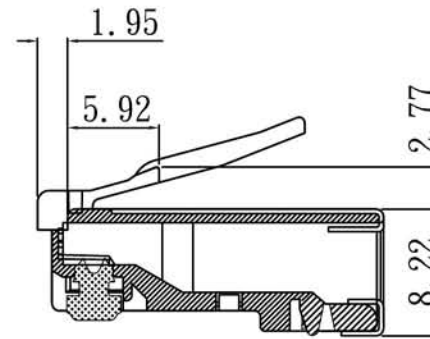
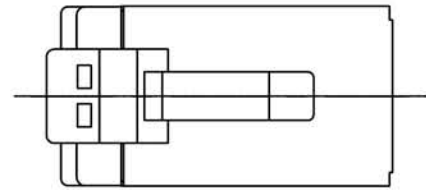
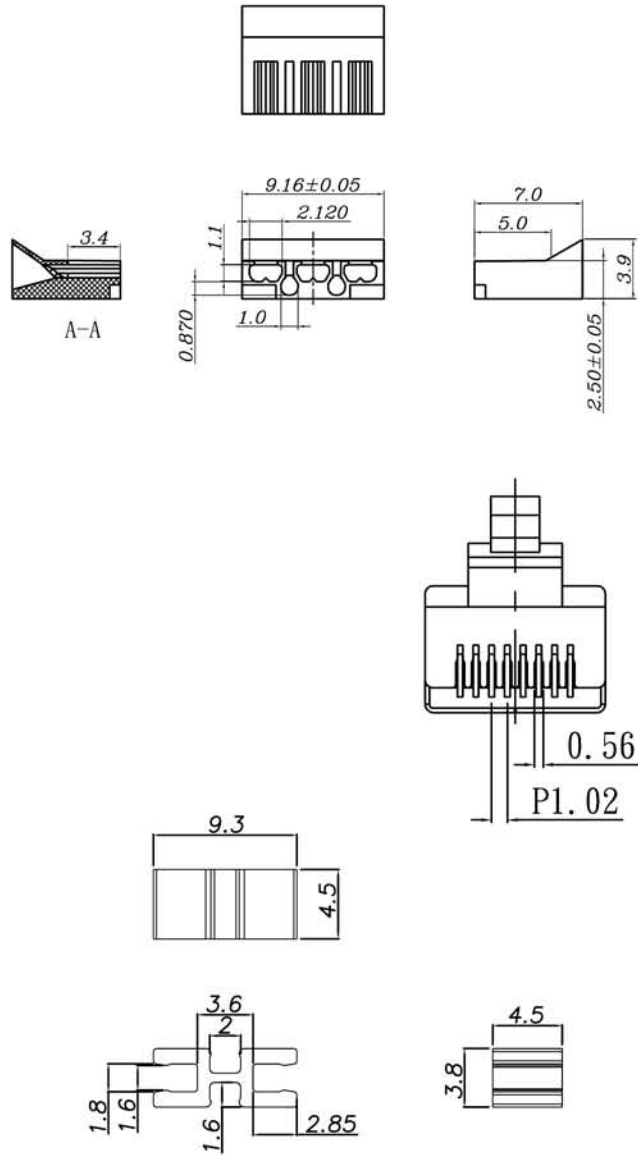


VPI P/N: RJ45-PLG-FLT-SH



MECHANICAL SPECIFICATION :

1. Housing Material: Polycarbonate, UL 94V-2. NO Poison
2. Material Contact: Brass / Phosphor Bronze.
3. Gold Plating: 50U"
4. Housing Color: Transparent
5. Material Shell : Brass.
6. Operation Temperature: -40°c to 80°c.

NOTE TOL:±0.1

UNITS: Millimeters