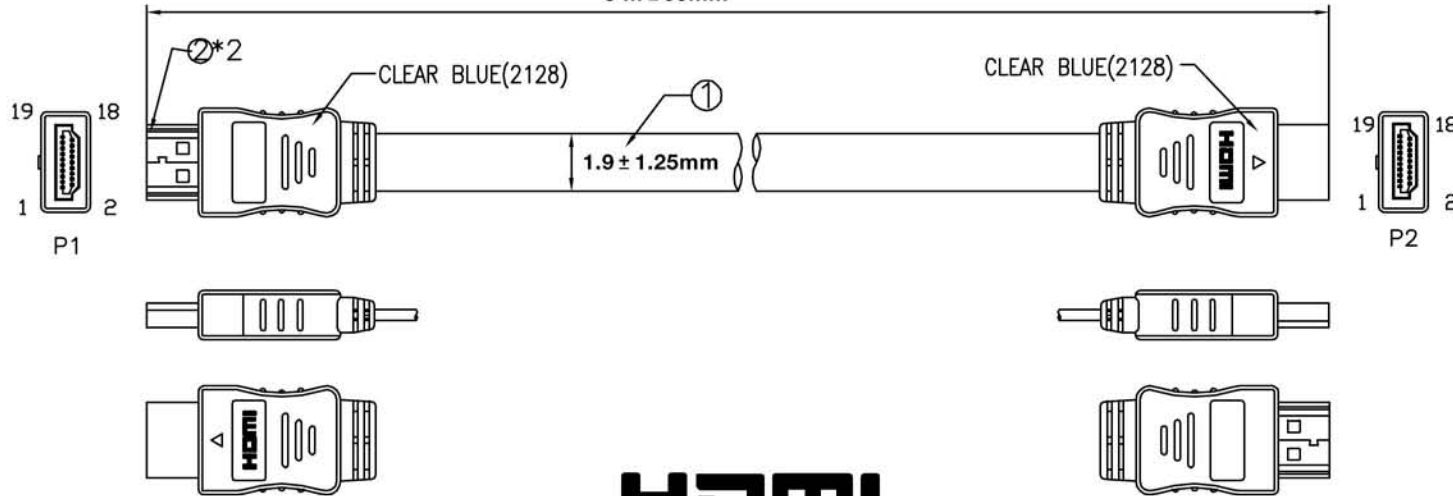
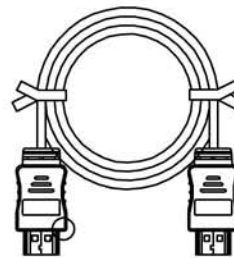
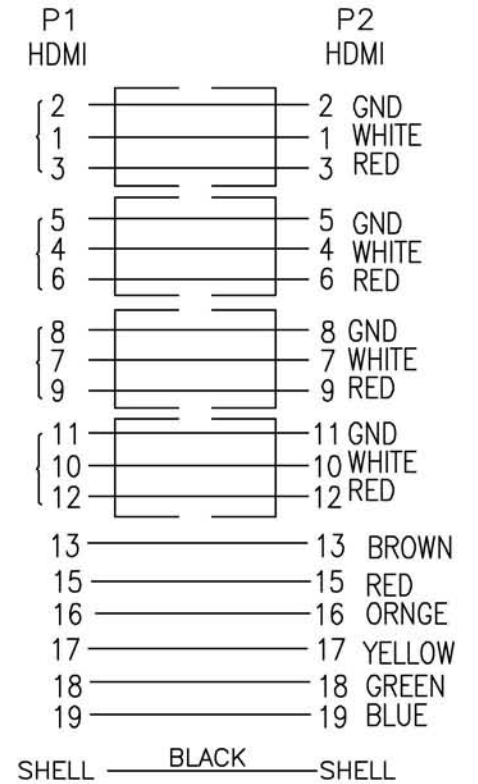


3 m ±30mm

Part #: HDMI-FLT-3M-MM



HDMI



NOTES:

- Contact resistance 5ohm (max)
- Insulation resistance: 10M ohm (min) 300v/dc
- Next row (max)

3	OUTER JACKET PVC 60Pa CLEAR BLUE(2128)(RoHS)
2	HDMI PLUG TERMINAL&SHELL GOLD FLASH BLACK SOLDER TYPE W/O METAL HOOD (RoHS)
1	UL20276 (30#2C+A+D)*4C+30#7C CLEAR(2101) (RoHS)

VPI VIDEO PRODUCTS INCORPORATED

1275 Danner Drive Aurora, Ohio 44202

Tel: 1-800-626-7801 Fax: 330-562-1999

www.vpi.us

sales@vpi.us