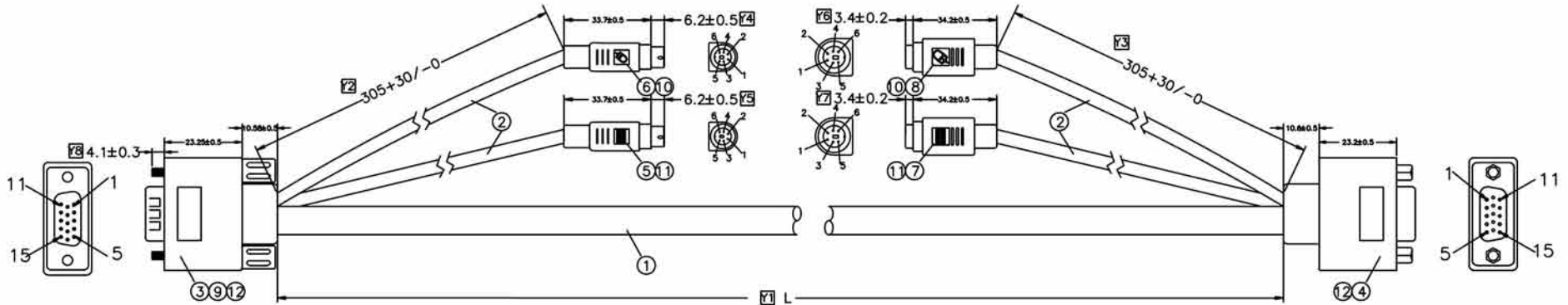


VPI P/N: VKMEXT-xx



MATERIALS:

1. CABLE:UL 20276 1354(S)7/0.102TA*3C+7/0.102TA*2PR+7/0.102TA*13C +AB 85% OD:6.5mm COLOR:BEIGE(P003)
MARKING: JAWM STYLE 20276 VW-1 80°C 30V LOW VOLTAGE
COMPUTER CABLE Video Products Inc www.vpi.us
2. CABLE:UL 20276 7/0.16TA*4C+EA OD:4.0mm COLOR:BEIGE(P003)W951121003
3. CONNECTOR:HDD15P M INSULATOR BLUE NICKEL PLATED SHELL
4. CONNECTOR:HDD15P F WITH NUT INSULATOR BLUE NICKEL PLATED SHELL
5. CONNECTOR:MD6M PIN G/F INSULATOR PURPLE NICKEL PLATED SHELL
6. CONNECTOR:MD6M PIN G/F INSULATOR GREEN NICKEL PLATED SHELL
7. CONNECTOR:MD6F PIN G/F INSULATOR PURPLE NICKEL PLATED SHELL
8. CONNECTOR:MD6F PIN G/F INSULATOR GREEN NICKEL PLATED SHELL
9. THUMBSCREW:4*34.5mm 4#-40UNC COLOR:DK BLUE(V212) 30P
10. MOLDED PVC:V051 45P COLOR:GREEN 94V-0 MOLD
11. MOLDED PVC:V307 45P COLOR:PURPLE 94V-0 MOLD
12. MOLDED PVC:V212 45P COLOR:DK BLUE 94V-0 MOLD

ELECTRONIC TEST:

- A. OPEN/SHORT/INTERMITTENCE: 100%.
 - B. HI-POT: 300V AC/sec
 - C. INSULATION RESISTANCE:20M OHM (MIN)
 - D. CONDUCTIVE RESISTANCE: 2 OHM (MAX)
 - E. CPK Measure point Y1-Y8.
- All Material Comply With RoHS.

| VPI P/N | LENGTH (mm) | LENGTH |
|-----------|-------------|--------|
| VKMEXT-3 | 915-13/+30 | 3FT |
| VKMEXT-6 | 1830-13/+50 | 6FT |
| VKMEXT-10 | 3050-13/+50 | 10FT |
| VKMEXT-15 | 4575-13/+75 | 15FT |
| VKMEXT-25 | 7620-13/+75 | 25FT |

