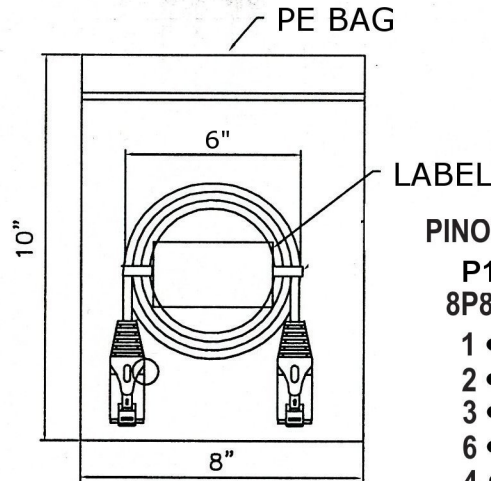
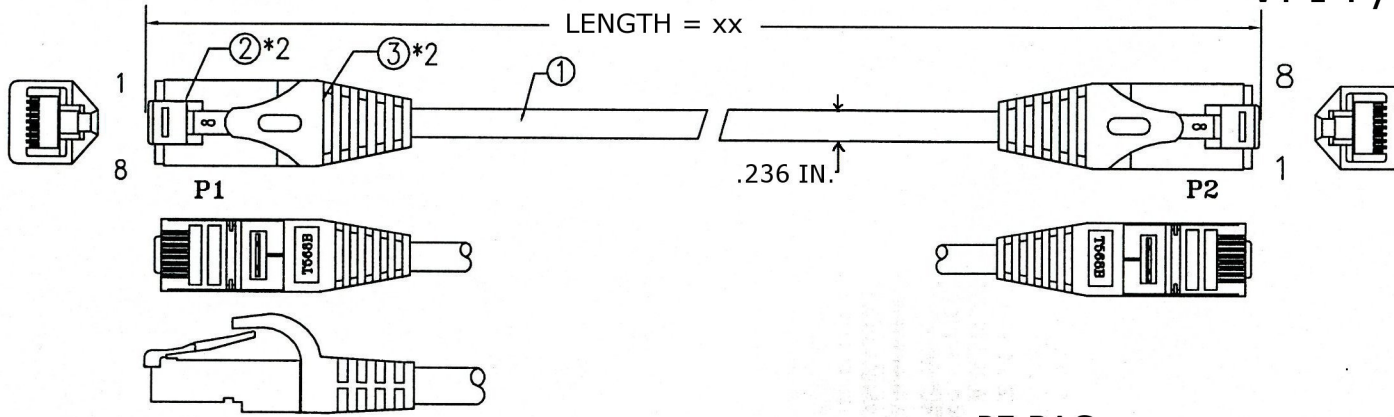


VPI P/N: CAT7-xx-GRAY

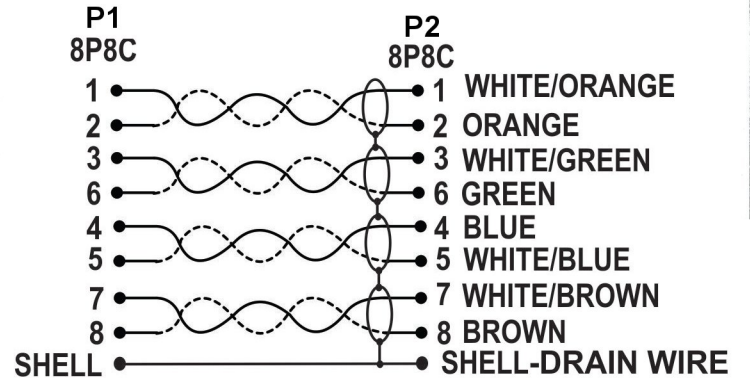


LABEL

P/N:CB6
xft Cat.7 SSTP Cable
RoHS Compliant

NOTE: SHORT AND OPEN 100% TESTING.
CONDUCTOR RESISTANCE 5Ω
INSULATION RESISTANCE 20MΩ
HI-POT:DC250V
27AWG CONDUCTORS

PINOUT:



DIMENSIONS ARE IN INCHES

3	OUTER JACKET PVC 60Pa GRAY(2001) RoHS
2	RJ45 8P8C PLATED GOLD 50U" SHELL GOLD FLASH 2PIECES
1	CAT.7 SSTP CABLE (27#1P+A)*4+B STRANDED TYPE OD: .236 GRAY(2001) RoHS

VPI VIDEO
PRODUCTS
INCORPORATED

1275 Danner Drive Aurora, Ohio 44202
Tel: 330-562-2622 Fax: 330-562-1999
www.vpi.us