

NOTE:

- CABLE: UL2919 (30AWG*1C+EAM)*3C+30AWG*9C+AEB 65% OD=5.5mm
COLOR:BEIGE(P003)(W950811009)
MARKING: 9JAWM E101344-C STYLE 2919 VW-1 80°C 30V LOW
VOLTAGE COMPUTER CABLE Video Products Inc WWW.VPI.US
- CONNECTOR: HDD15 MALE GOLD PLATED PIN
NICKEL SHELL, BLACK INSULATOR
- THUMBSCREW: 4*30.5mm COLOR:BEIGE
- MOLDING PVC: 45P COLOR:BEIGE(V820)
- COVER: DUST COVER HDD15P BLACK. ☒

ELECTRONIC TEST:

- A.OPEN/SHORT/INTERMITTENCE: 100%.
 B.HI-POT: 300V AC/sec
 C.INSULATION RESISTANCE: 20MΩ (MIN)
 D.CONDUCTIVE RESISTANCE: 2Ω (MAX)
 NOTE:CB6112,CB6113 :6 OHM (MAX) 漏電流:3mA(MAX)
 E.CPK Measure point Y1-Y3.

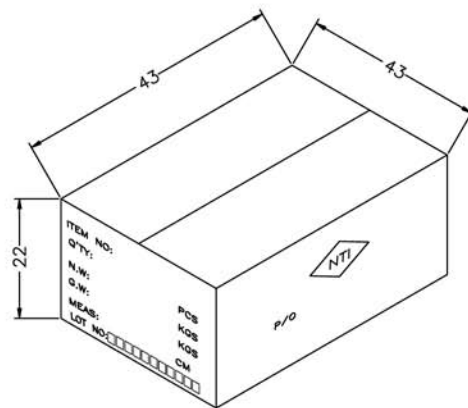
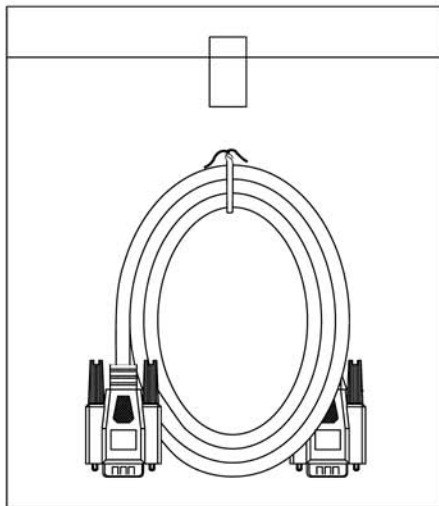
		(FT)	(MM)
J00400124	CB6106	1.5	457±30MM
J00400125	CB6107	3	915±50MM
J00400126	CB6108	6	1830±50MM
J00400127	CB6109	10	3048±50MM
J00400128	CB6110	15	4575±70MM
J00400129	CB6111	25	7620±70MM
J00400130	CB6112	35	10670±100MM
J00400131	CB6113	50	15240±100MM

PIN OUT	
CN1	CN2
1	1
6	6
2	2
7	7
3	3
8	8
4	4
5	5
9	9
10	10
11	11
12	12
13	13
14	14
15	15
SHELL	SHELL

VPI VIDEO PRODUCTS INCORPORATED

1275 Danner Drive Aurora, Ohio 44202
 Tel: 1-800-626-7801 Fax: 330-562-1999
 www.vpi.us sales@vpi.us

Part #: VEXT-THN-xx-MM



	(FT)		PE	
J00400124	1.5	120PCS	7"*9"*0.06MM	1*60MM
J00400125	3	120PCS	7"*9"*0.06MM	1*80MM
J00400126	6	90PCS	7"*9"*0.06MM	1*80MM
J00400127	10	72PCS	7"*9"*0.06MM	1*100MM
J00400128	15	60PCS	9"*11"*0.06MM	2*120MM
J00400129	25	54PCS	9"*11"*0.06MM	2*150MM
J00400130	35	40PCS	9"*11"*0.06MM	2*180MM
J00400131	50	28PCS	12"*12"*0.06MM	2*200MM

WATERPROOF BAG: 36"*36"*0.06MM

CARTON: 43*43*22cm

VPI VIDEO
PRODUCTS
INCORPORATED

1275 Danner Drive Aurora, Ohio 44202
Tel: 1-800-626-7801 Fax: 330-562-1999
www.vpi.us sales@vpi.us