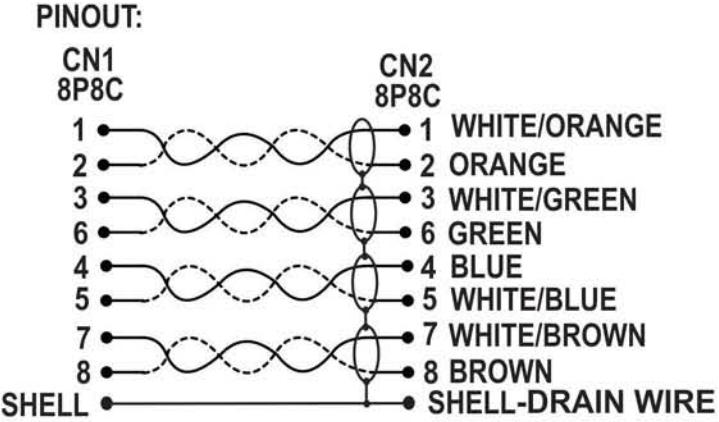
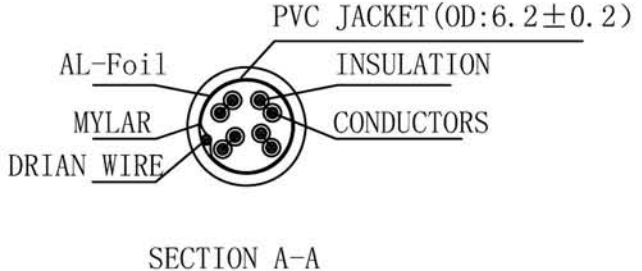
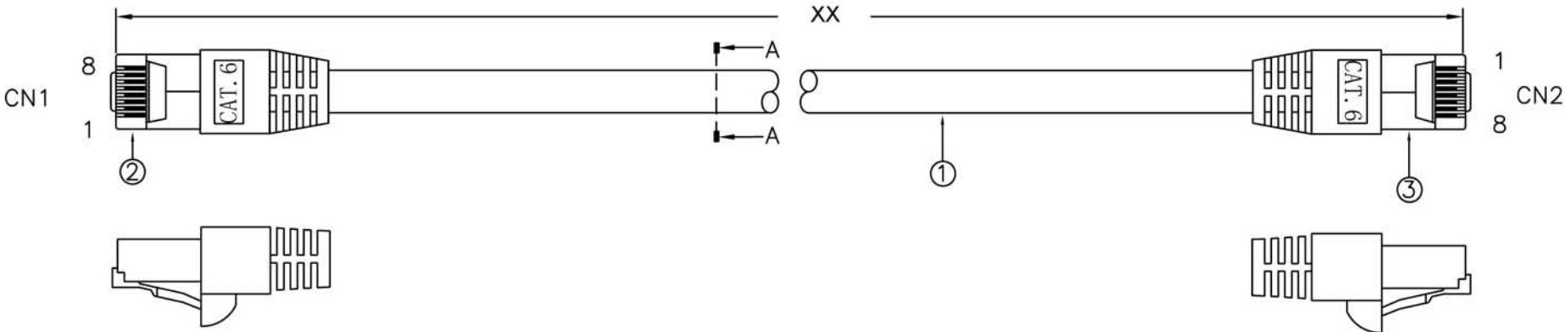


VPI P/N: CAT6-xx-color-SHLD  
 (xx= 2,3,5,7,10,14,25,50 or 100 Feet)



- NOTE:**
1. MATERIAL
    - 1.1 CABLE: 24AWG (7/0.18CU)\*4PAIR+MYLAR+DRAIN WIRE+AL-Foil+PVC JACKET,
    - 1.2 CONNECTER: RJ45 (8P8C) MALE TYPE, WITH SHIELD;  
 INSULATION: CLEAR POLYESTER SHORT BODY,  
 CONTACTS: BRASS, G/F  
 SHIELD: STEEL, NICKEL PLATED.
    - 1.3 PVC MOLDING: PVC
    - 1.4 ALL COMPONENTS ARE RoHS COMPLIANT.
  2. ELECTRICAL
    - 2.1 100% OPEN AND SHORT TEST