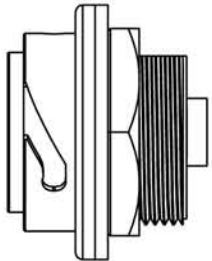
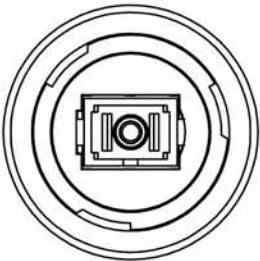
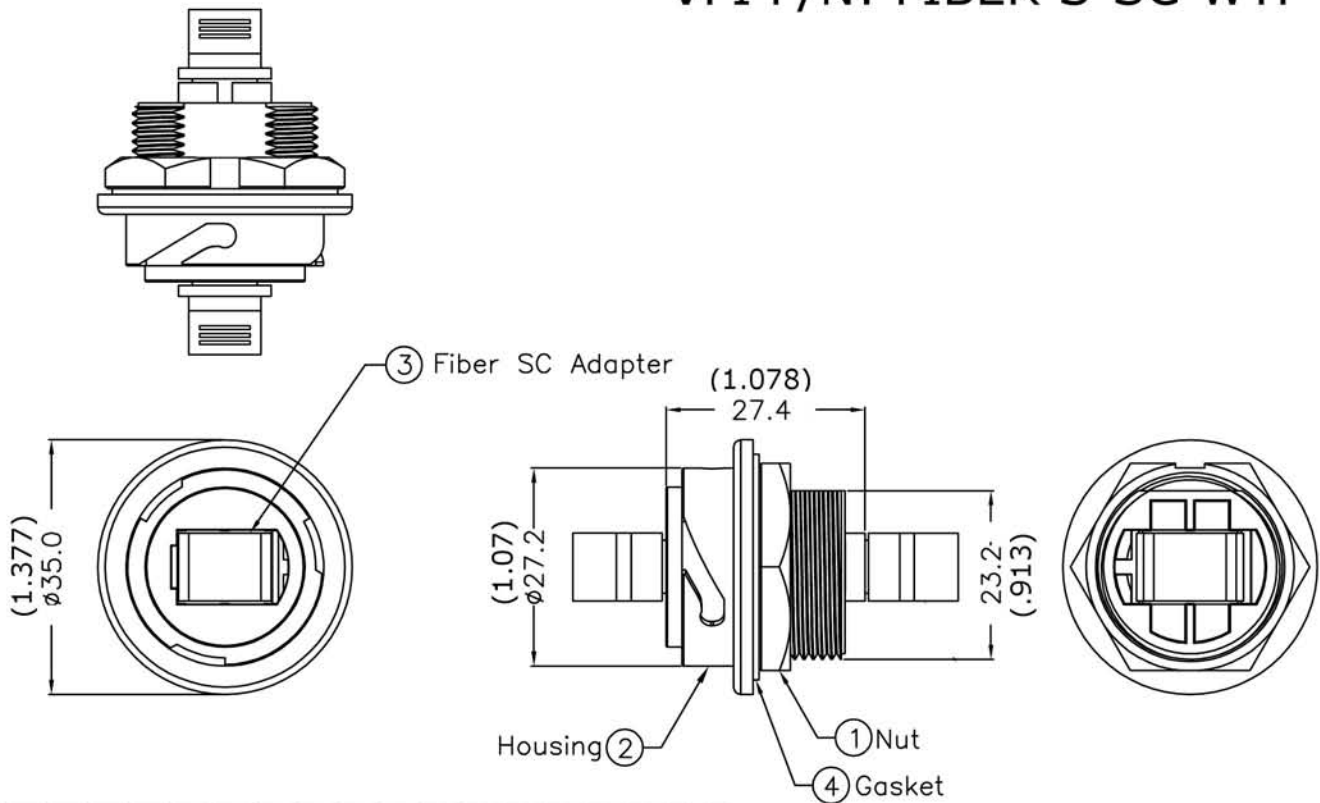
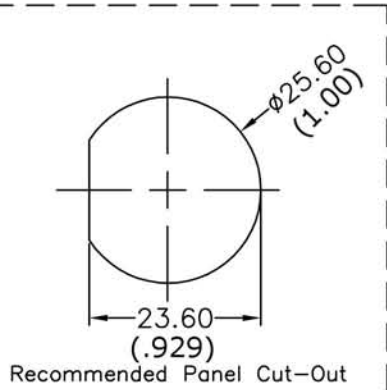


VPI P/N: FIBER-S-SC-WTP-CS



- Note:
- * Waterproof Rate: IP67
 - * Nut: Nylon+GF UL94V-0, Black
 - * Housing: PPO UL94V-0, Black
 - * Fibre Adapter: SC Adapter
 - * Gasket: Silicone UL94V-0, Gray
 - * For Panel Thickness Max 4.0mm
 - * Recommend Force : 8~10kg-cm

UNIT:mm (Inch)

TOLERANCE	
.X	±0.25
.XX	±0.1
.XXX	±0.05
ANGLES	±1°



1275 Danner Drive Aurora, Ohio 44202
 Tel: 330-562-2622 Fax: 330-562-1999
 www.vpi.us