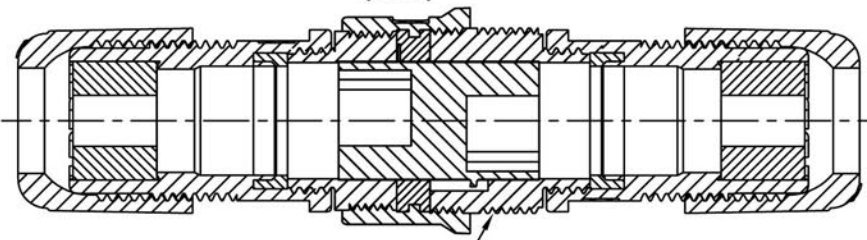
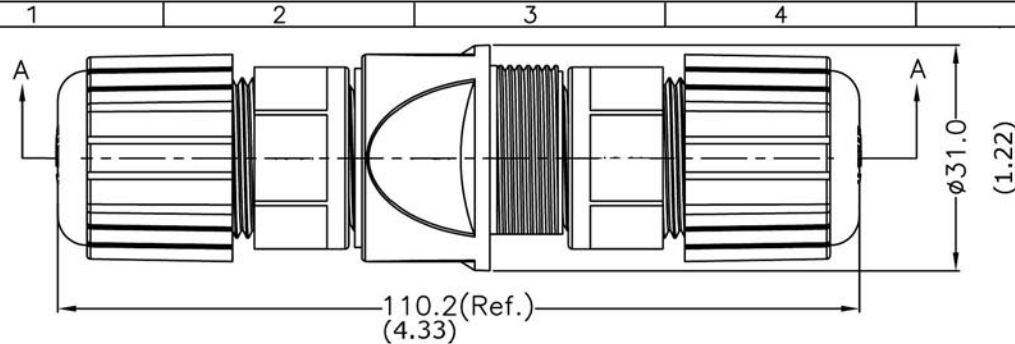


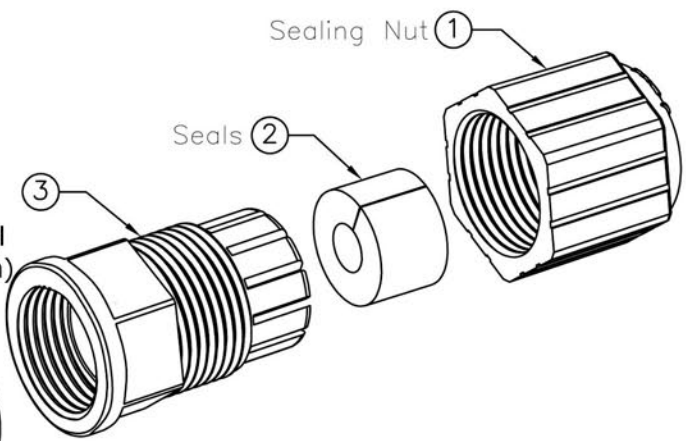
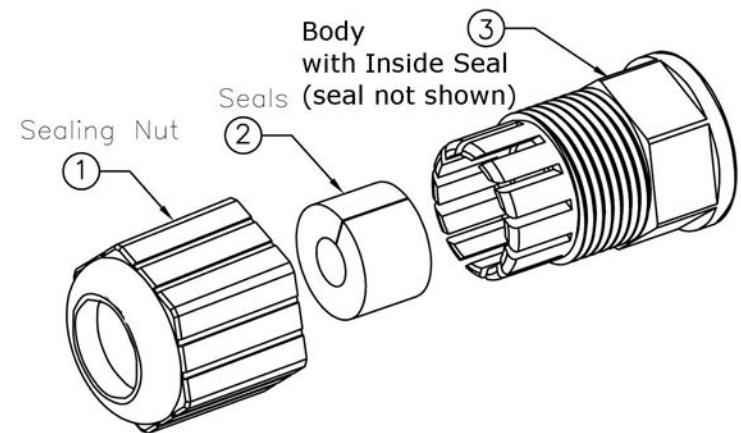
VPI P/N: CAT5E-WTP-FF



1"-20 UNEF
Section A-A

Body with Inside Seal (seal not shown)

Panel Conn ④



Note:

- * Waterproof Rate : IP67
- * Sealing Nut: Nylon,Black
- * Seals: EPDM,Black
- * Body w/inside Seal: Nylon Body(Black)&Silicone Seal (Gray_Black)
- * Panel Conn: ABS 94V-O.BK
- * Temperature range: -4 to 176°F (-20 to 80°C)
- * Vibration severity: 10 to 500Hz, 0.35mm.
- * Shock severity: tested with sodium chloride consistency for 5 cycles under -4 to 176°F (-20 to 80°C) with no impact on product function and appearance

UNIT:mm (Inch)



1275 Danner Drive Aurora, Ohio 44202
Tel: 330-562-2622 Fax: 330-562-1999
www.vpi.us