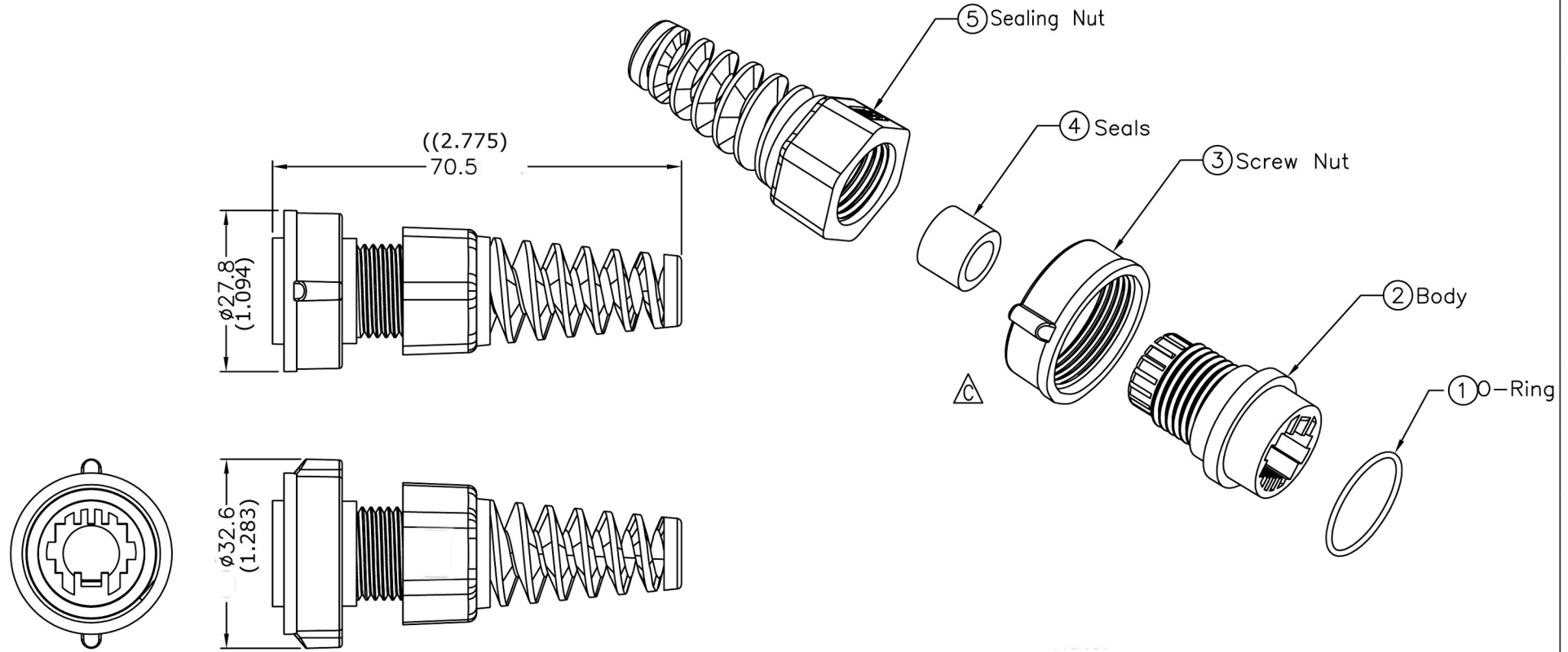


# VPI P/N: RJ45-5EWTP-CB20-LONG



**Note:**

- \* Waterproof Rate: IP67
- \* Body: Black, ABS-94V-0
- \* Ring: Black, EPDM
- \* Nut: Black, ABS-94V-0
- \* Sealing Nut: Black, Nylon

UNIT : mm (Inch)

**VPI** VIDEO  
PRODUCTS  
INCORPORATED

1275 Danner Drive Aurora, Ohio 44202  
Tel: 330-562-2622 Fax: 330-562-1999  
www.vpi.us