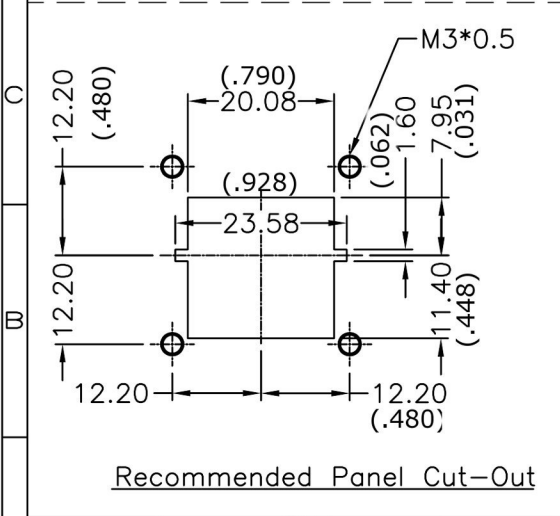
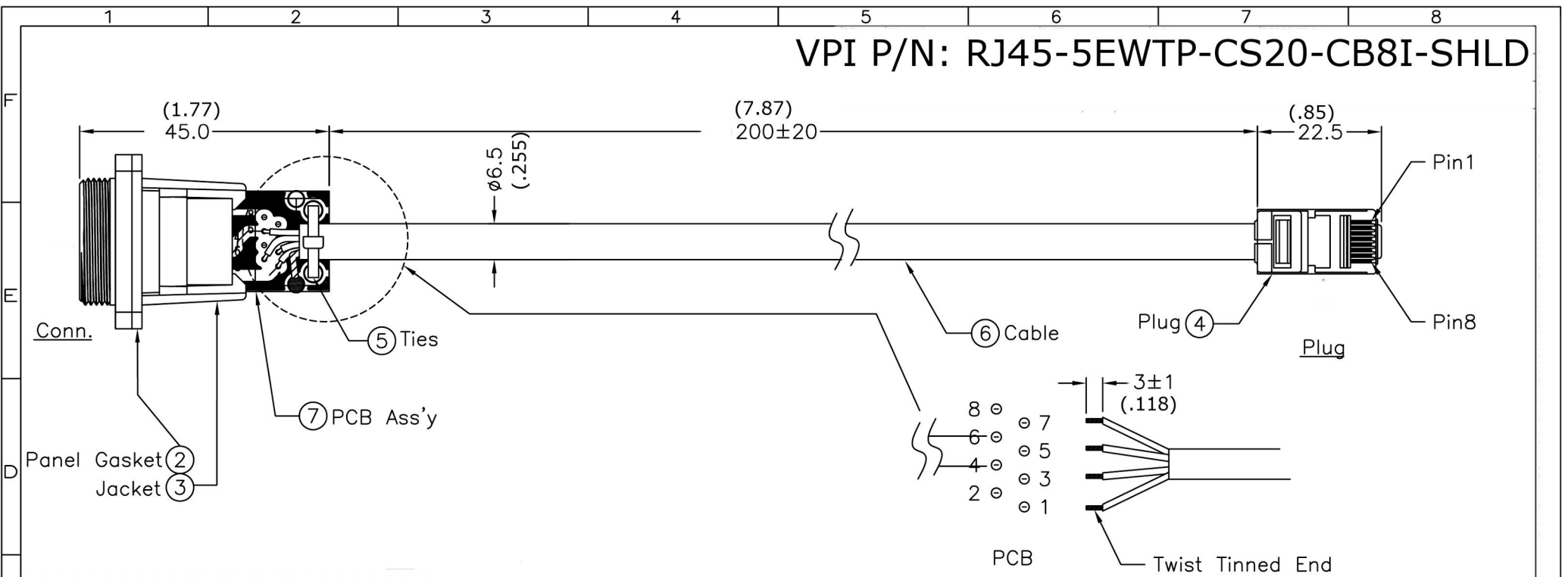


VPI P/N: RJ45-5EWTP-CS20-CB8I-SHLD



Shield	Drain Wire	Shield	
8	Brown	8	Twist
7	White/Brown	7	Twist
6	Green	6	
5	White/Blue	5	Twist
4	Blue	4	
3	White/Green	3	Twist
2	Orange	2	
1	White/Orange	1	
Conn.	Wire Color	Plug	
	Pin Out		

- Note:
- * Waterproof Rate : IP67
 - * Housing : ABS 94V-0,BK
 - * Gasket : EPDM,BK
 - * Screw : Stainless
 - * Plug: RJ45 8P8C
 - * Cable: CAT5E FTP 24#*4P+D+AL/MY Black, OD=6.5mm
 - * Screw torsion range : 1.5~2 kgf-cm

UNIT:mm (Inch)