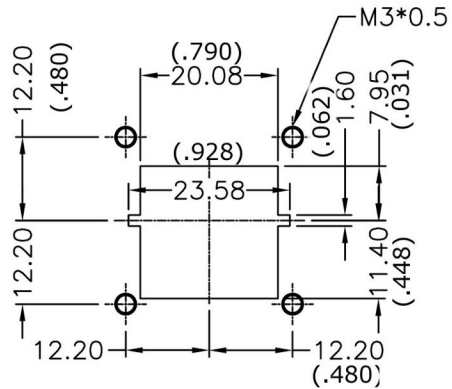
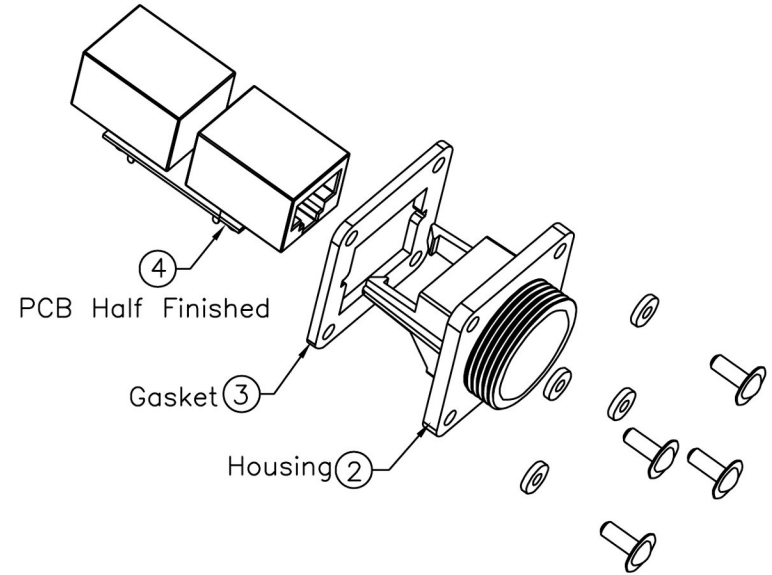
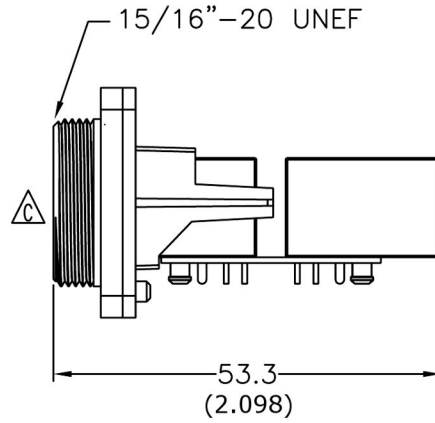
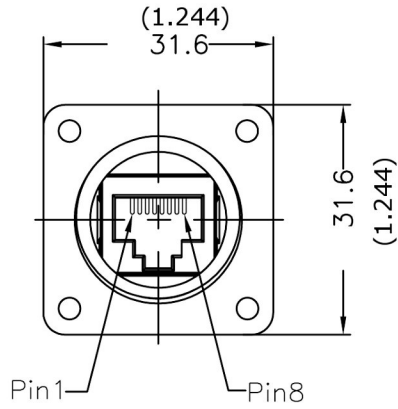


VPI P/N: RJ45-5EWTP-CS20-JCK-SHLD



Note:

- * Waterproof Rate : IP67
- * Housing : ABS 94V-0,Black
- * Gasket : EPDM,Black
- * Screw : Stainless
- * Screw torsion range : 1.5~2 kgf.cm
- * The mating force between Plug and Jack should not be over 10 kgf

UNIT:mm (Inch)



1275 Danner Drive Aurora, Ohio 44202
 Tel: 330-562-2622 Fax: 330-562-1999
 www.vpi.us