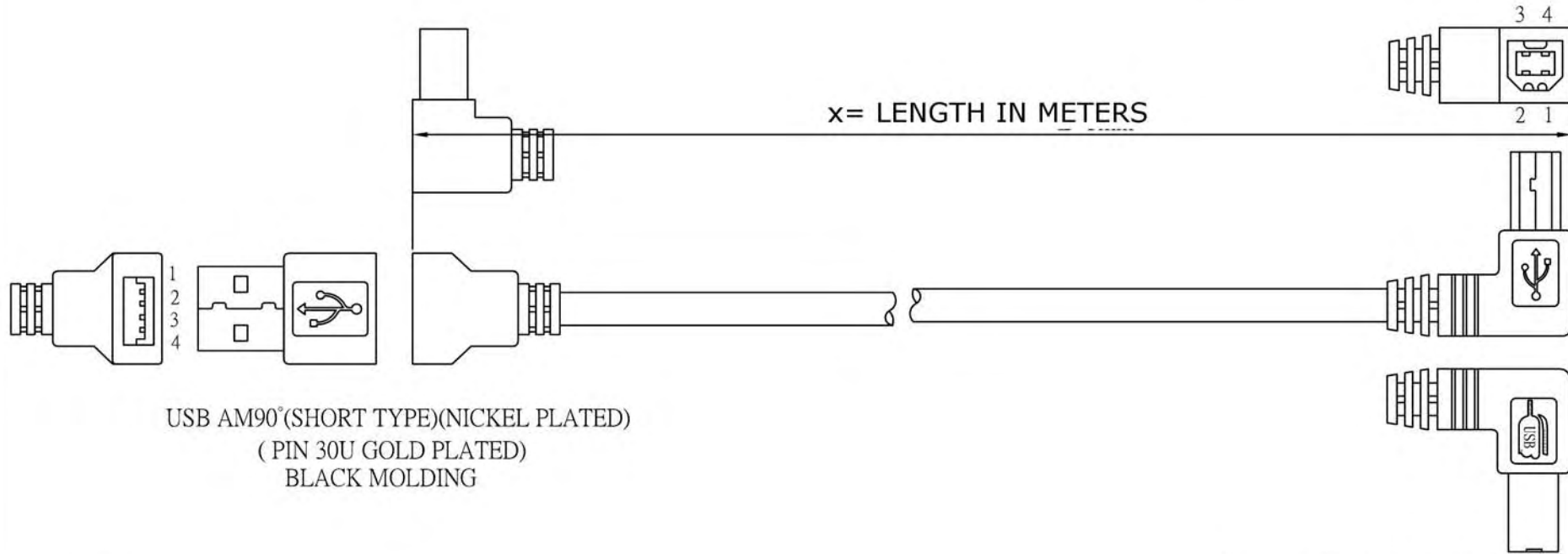


# VPI P/N USB2-AB-ULA-xM-K



USB AM90°(SHORT TYPE)(NICKEL PLATED)  
 ( PIN 30U GOLD PLATED)  
 BLACK MOLDING

USB BM 90°(SHORT TYPE)(NICKEL PLATED)  
 ( PIN 30U GOLD PLATED)  
 BLACK MOLDING

**NOTE:**

1. CABLE:UL2725 2.0REV,AL+B,28#\*1P+24#\*2C,OD=4.2mm,BLACK PVC JACKET.(AM)
2. LENGTH:L
3. CONNECTOR:USB AM\*1PCS.(WHITE INSULATOR),USB BM\*1PCS(WHITE INSULATOR)( PIN 30U GOLD PLATED)
4. MOLD:BLACK MOLDING
5. CONTACTS:

USB AM	1	2	3	4	64
USB AM	1	2	3	4	64
	RED	WHITE	GREEN	BLACK	BRAID
		#28	#28		
		PAIR			

WHITE/GREEN PAIR...28AWG ,  
 RED/BLACK...24AWG

6. OPEN/SHORT TEST: 100% TEST.  
 INSULATION:5M.
7. RoHS Compliant