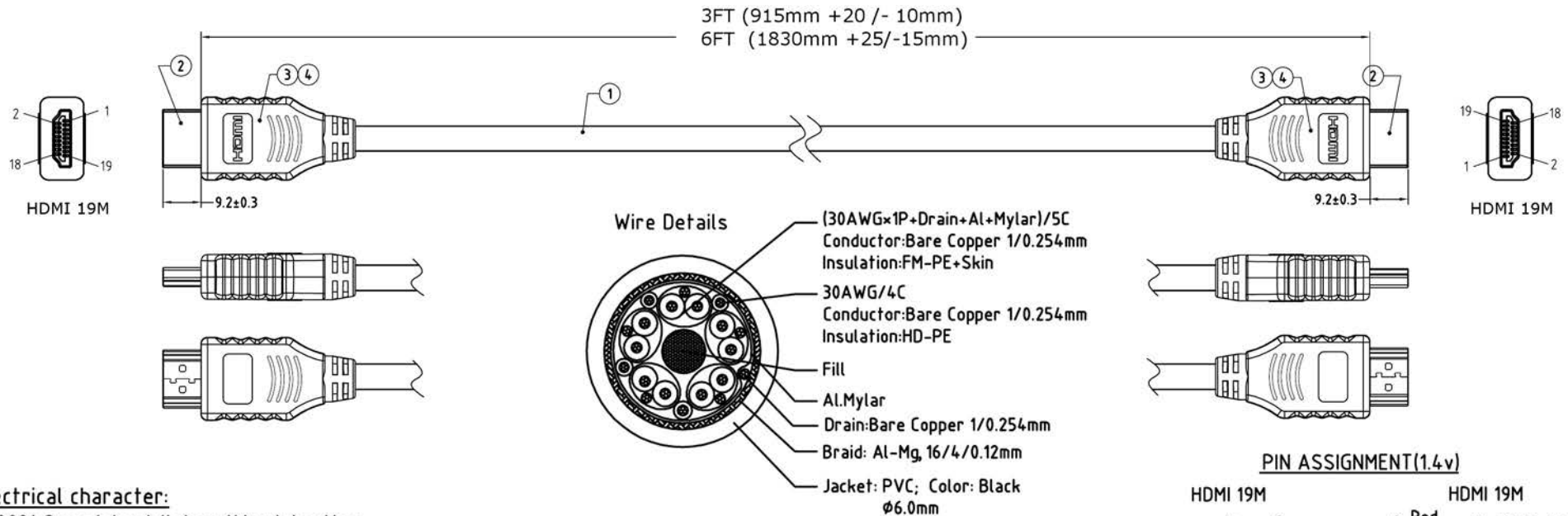


NOTE: ALL MATERIAL COMPLIANT ROHS STANDARD

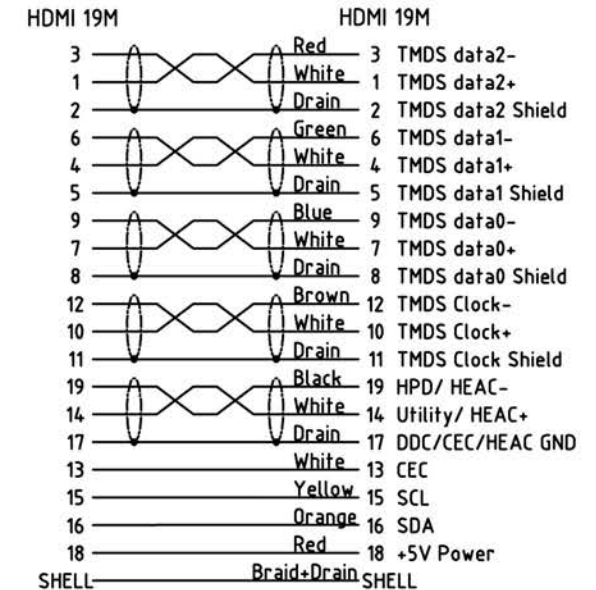
VPI P/N: HD-3-MM
HD-6-MM



Electrical character:

- 1) 100% Open/short/Intermittent testing
- 2) Withstanding voltage: DC 300V AT 10ms.
- 3) Insulation resistance: 10M Ohm(min)
- 4) Residual operating current:
 - a. <1M=0.5mA; b. 1.0~2.0M=1.0mA;
 - c. 2.0~3.0M=2.0mA; d. 3.0~5.0M=3.0mA;
 - e. 5.0~10M=5.0mA; f. 10~15M=7.0mA;
- 5) Conductive resistance: 3 Ohm(Max)

PIN ASSIGNMENT(1.4v)



④	Overmold	PVC, 45Pa, Black
③	Innermold	PE, Low density
②	HDMI_Conn	HDMI A/M, PIN G/F, Black Insulation, Steel-Shell(G/F Plated), Solder type
①	Cable	UL20276 (30#BC/1P+ADM)/5C+30#BC/4C+F+A+D+B(16/4/0.12, Al-Mg)+PVC, Black, OD6.0mm
NO.	PART NAME	SPECIFICATION DESCRIPTION

VPI VIDEO PRODUCTS INCORPORATED

1275 Danner Drive Aurora, Ohio 44202
Tel: 330-562-2622 Fax: 330-562-1999
www.vpi.us