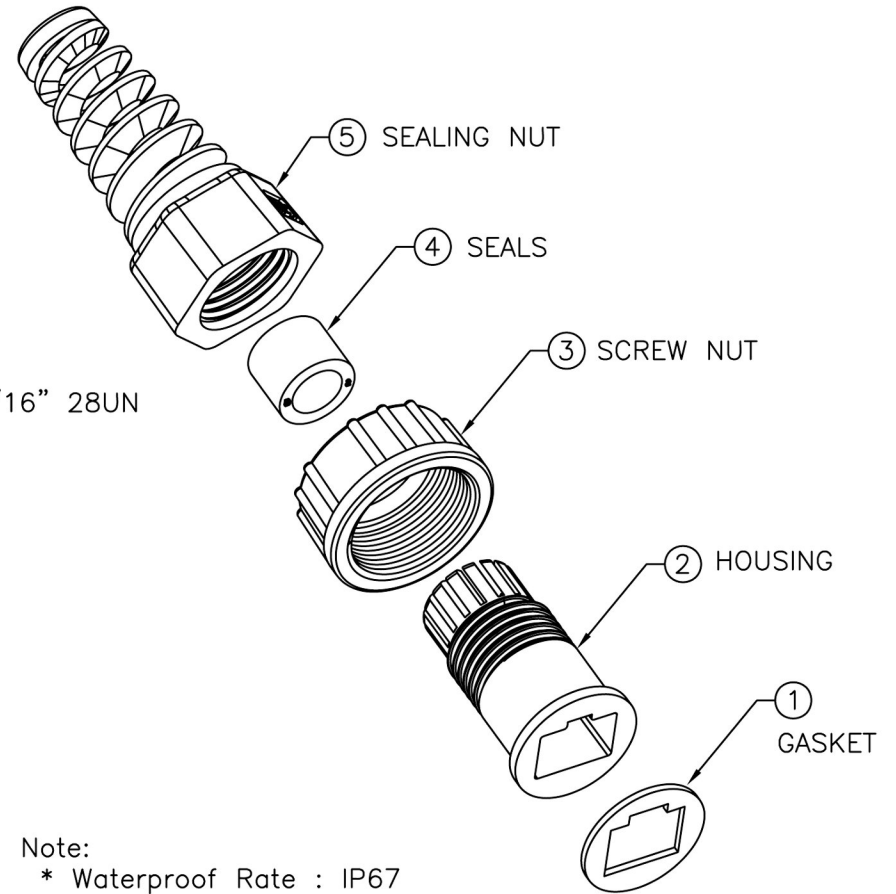
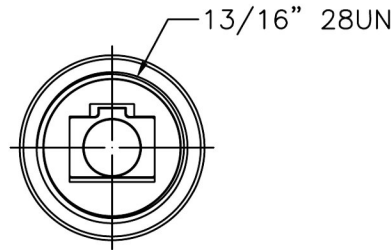
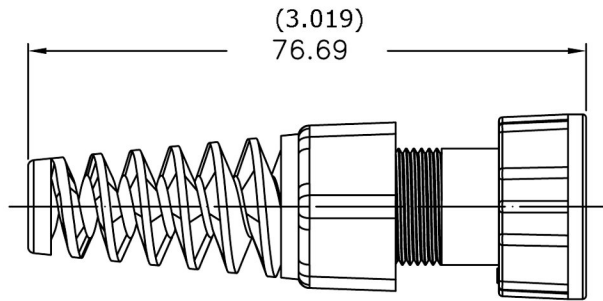
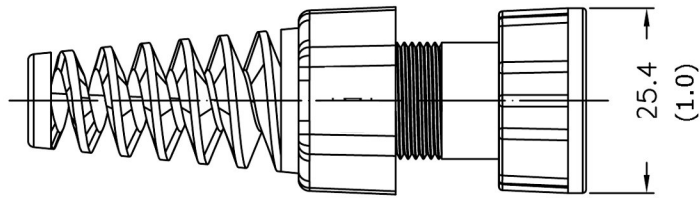


VPI P/N: RJ45-5EWTP-CB28-LONG



Note:

- * Waterproof Rate : IP67
- * Gasket:Black,EPDM
- * Housing:Black,Nylon
- * Screw Nut:Black,Nylon+GF
- * Sealing Nut:Black,Nylon

UNIT:mm (Inch)



1275 Danner Drive Aurora, Ohio 44202
 Tel: 330-562-2622 Fax: 330-562-1999
 www.vpi.us