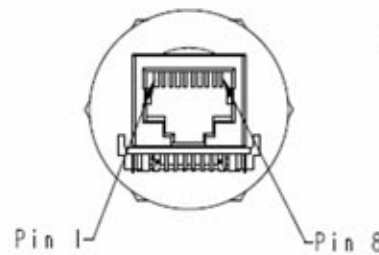
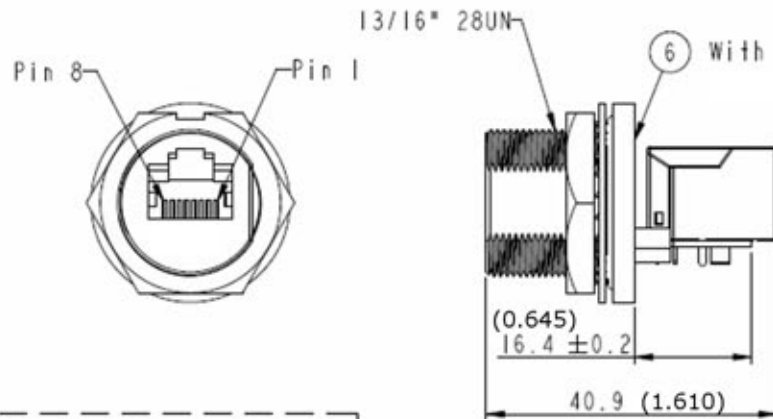
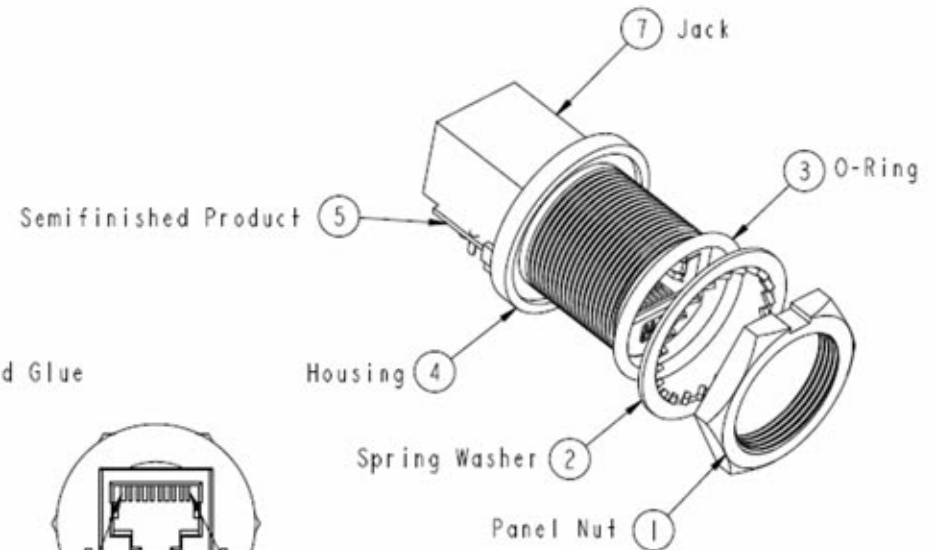
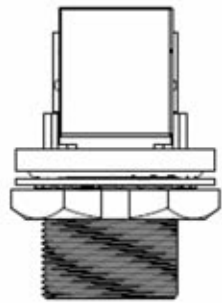
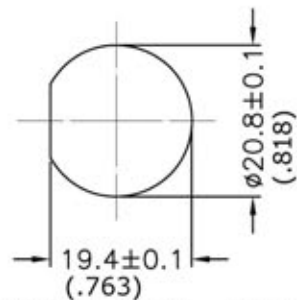


VPI P/N: RJ45-5EWTP-CS28-JCK-SHLDM



Note:

- † Waterproof Rate: IP67 Unmated
- † Panel Nut: Zinc Alloy, Nickel Plated
- † Spring Washer: SUS304
- † O-Ring: Silicone, Gray_Black
- † Housing: Zinc Alloy, Nickel Plated
- † Finish: Nickel Plated 120u" Min.
Over Copper Plated 500u" Min.
- † Use With Waterproof Cap Or Dust Cap
For Panel Thickness Max: 3.0mm
- † Use Without Waterproof Cap Or Dust Cap
For Panel Thickness Max: 4.2mm
- † Panel Nut Torque Spec: 8~10kg-cm (6.9-8.7 lbf-in.)



RECOMMEND PANEL CUT OUT

UNIT:mm (Inch)

TOLERANCE	
X	±0.25
XX	±0.1
XXX	±0.05
ANGLES	±1

VPI VIDEO
PRODUCTS
INCORPORATED

1275 Danner Drive Aurora, Ohio 44202
Tel: 330-562-2622 Fax: 330-562-1999
www.vpi.us