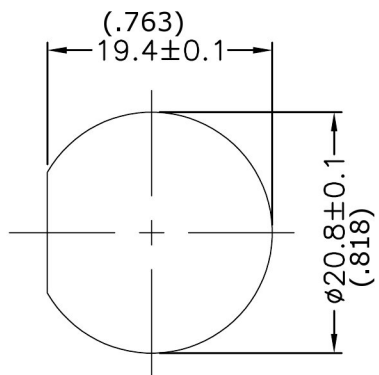
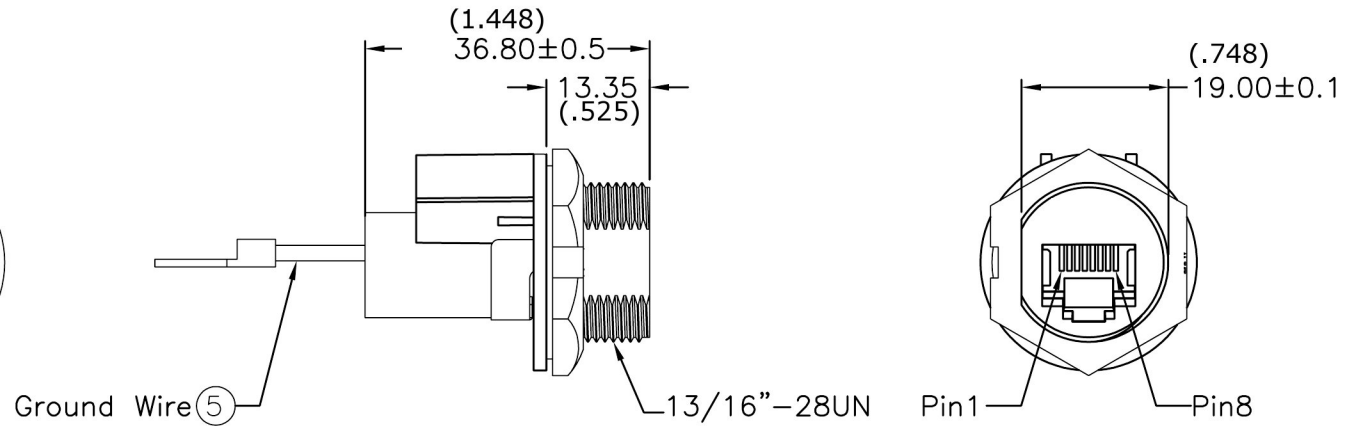
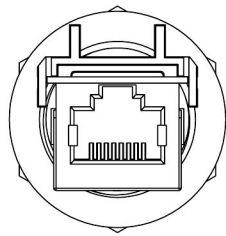
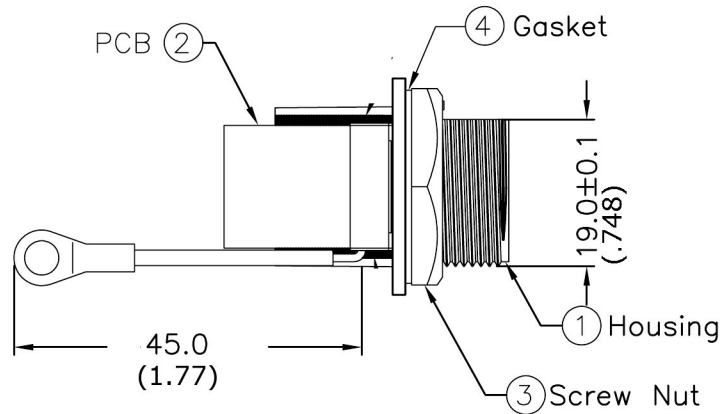


VPI P/N: RJ45-5EWTP-CS28-JCK-SHLDG



Recommended Panel Cut-Out



Note:

- * Waterproof Rate: IP67
- * Housing: Nylon+GF ,Black
- * Screw Nut :Nylon+GF ,Black
- * Gasket:EPDM , Black
- * Use without Waterproof cap or Dust cap
For Panel Thickness Max 2.8mm
- * Use with Waterproof cap or Dust cap
For Panel Thickness Max: 1.6mm

UNIT:mm (Inch)



1275 Danner Drive Aurora, Ohio 44202
 Tel: 330-562-2622 Fax: 330-562-1999
 www.vpi.us