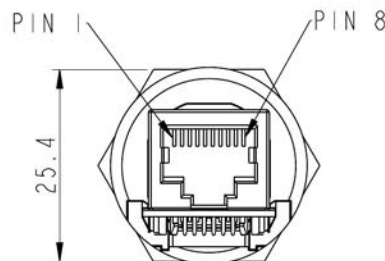
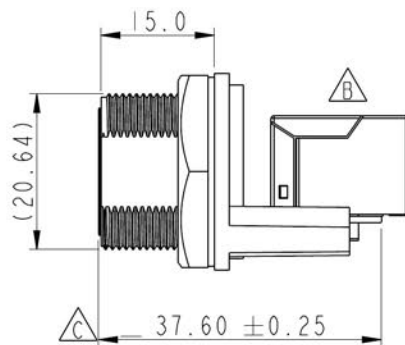
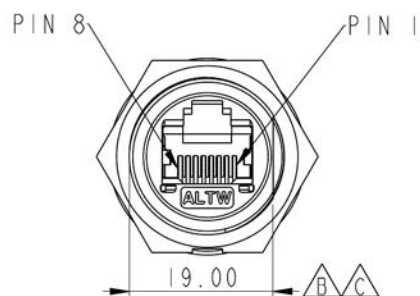
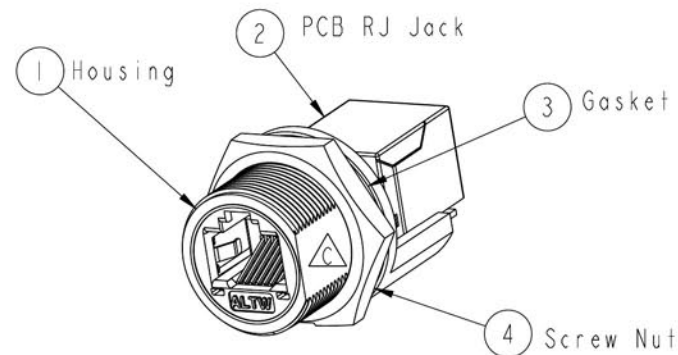
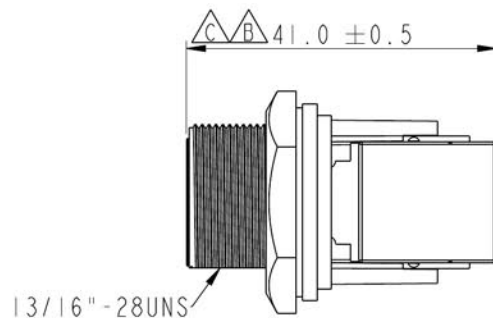
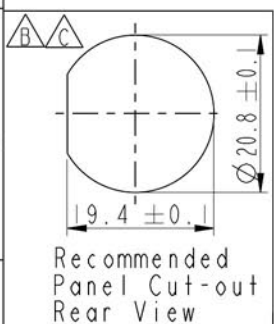


# VPI P/N: RJ45-5EWTP-CS28L-JCK-SHLD

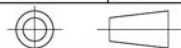


Note:

- \* Waterproof Rate : IP67 Mated
- \* Housing : Nylon+GF,UL 94V-0,BLACK
- \* Screw Nut : Nylon+GF,BLACK
- $\triangle B$  \* Gasket : Silicone,UL 94V-0,Gray.
- \* PCB: FR-4
- \* Jack : PBT Polyester UL 94V-0
- $\triangle B$  \* Use without Waterproof cap or Dust cap  
For Panel Thickness Max: 4.2mm
- \* Use with Waterproof cap or Dust cap  
For Panel Thickness Max: 3.0mm
- $\triangle B$  \* Screw torsion value range: 8~12kgf-cm



UNIT : mm



TOLERANCE	
.X	$\pm 0.25$
.XX	$\pm 0.1$
.XXX	$\pm 0.05$
ANGLES	$\pm 1^\circ$

**VPI** VIDEO PRODUCTS INCORPORATED

1275 Danner Drive Aurora, Ohio 44202  
Tel: 330-562-2622 Fax: 330-562-1999  
www.vpi.us