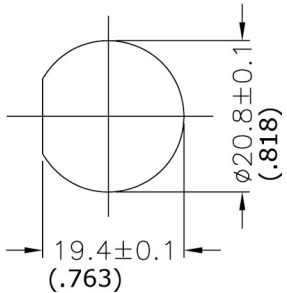
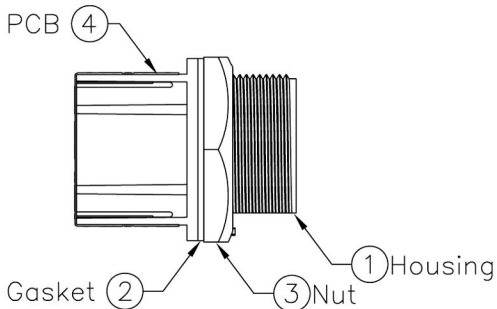
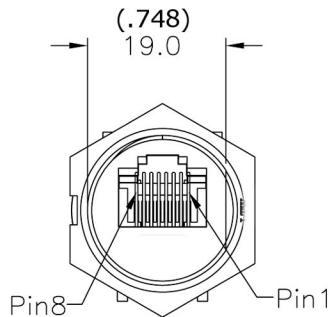
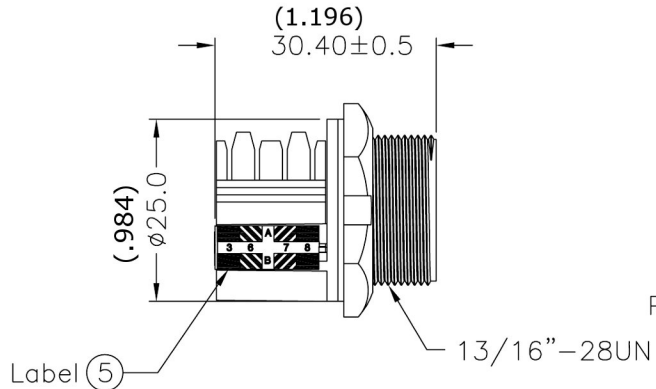
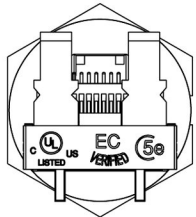


VPI P/N: RJ45-5EWTP-CS28-PD



Recommended Panel Cut-Out

Note:

- * Waterproof Rate: IP67
- * Housing: Black, ABS 94V-0
- * Gasket: Black, EPDM
- * Nut: Black, Nylon+GF
- * Use without Waterproof cap or Dust cap
For Panel Thickness Max: 2.8mm
- * Use with Waterproof cap or Dust cap
For Panel Thickness Max: 1.6mm

UNIT:mm (Inch)



1275 Danner Drive Aurora, Ohio 44202
Tel: 330-562-2622 Fax: 330-562-1999
www.vpi.us