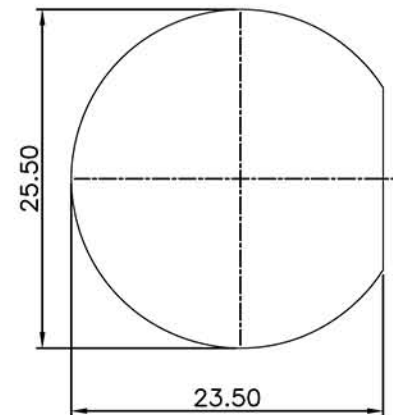
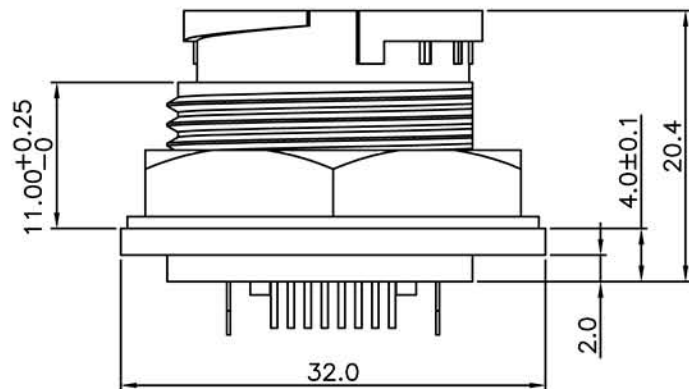


PCB LAYOUT/TOP VIEW



Panel Cut-Out

MATERIALS:

PLASTIC HOUSING: HIGH TEMP. THERMOPLASTIC
FLAMMABILITY RATING UL 94V-0.

CONTACTS: PHOSPHOR BRONZE

PLATING: GOLD PLATING OVER NICKEL IN CONTACT.
TIN PLATING OVER NICKEL IN SOLDER AREA.

SHIELDED: BRASS WITH NICKEL PLATED

Nut:ENGINEERING THERMOPLASTIC FLAMMABILITY RATING UL 94V-0.

Gasket: EPDM



1275 Danner Drive Aurora, Ohio 44202
Tel: 1-800-626-7801 Fax: 330-562-1999
www.vpi.us sales@vpi.us

