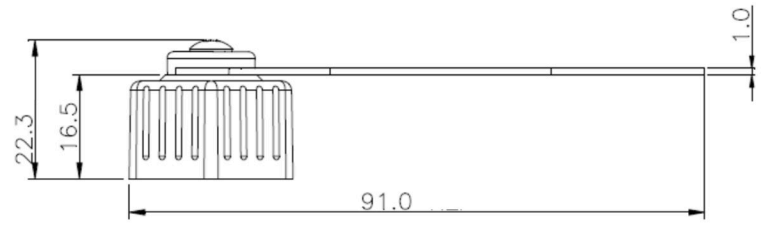
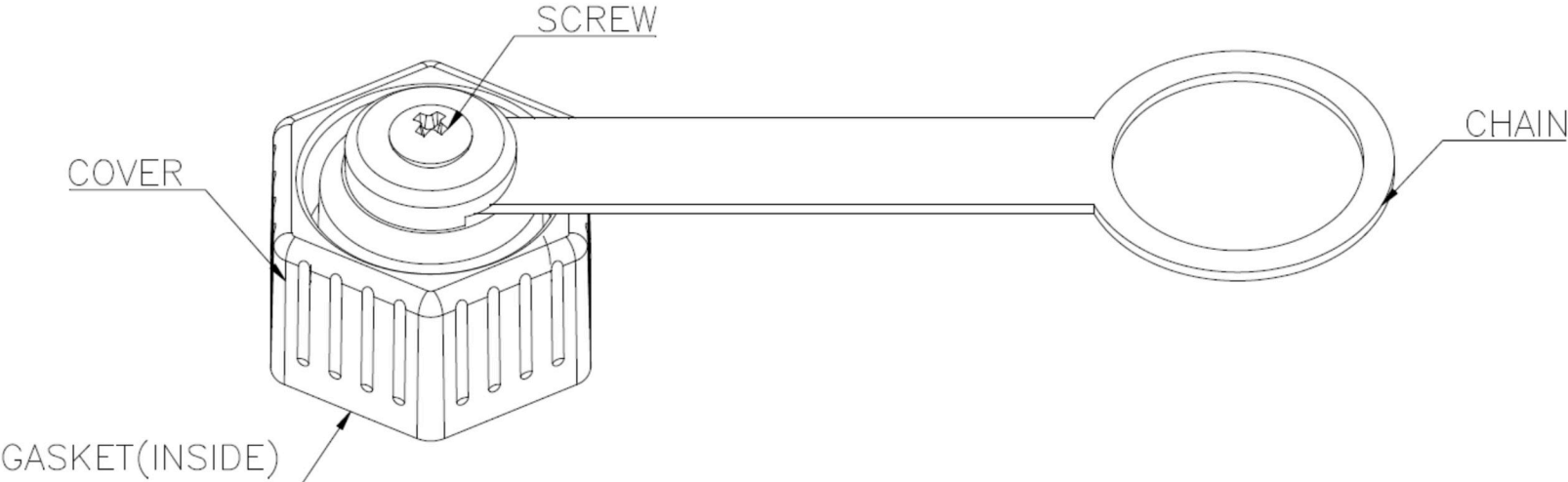
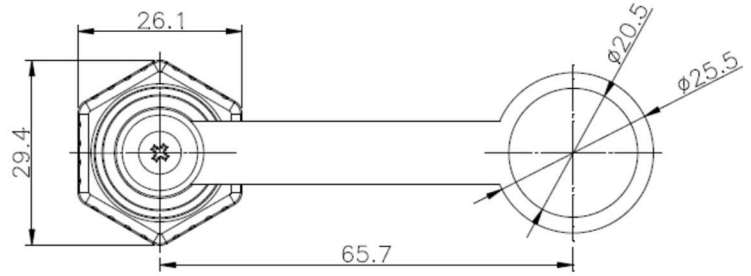


VPI P/N: RJ45-5EWTP-CAPT



SCALE 1:2



SCALE 1:2

RoHS COMPLIANT

- MATERIAL:
- 1.COVER: ENGINEERING THERMOPLASTIC  
UL 94V-0, PC-LN1250G COLOR:BLACK.
  - 2.CHAIN: SILICON. COLOR:BLACK.
  - 3.SCREW: STAINLESS STEEL
  - 4.GASKET: SILICON. COLOR:RED.

UNITS: Millimeters

Operating and storage temperature: 32 to 185°F (0 to 85°C).



1275 Danner Drive Aurora, Ohio 44202  
 Tel: 330-562-2622 Fax: 330-562-1999  
 www.vpi.us