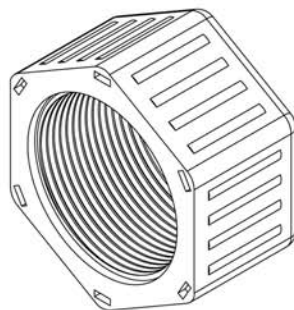
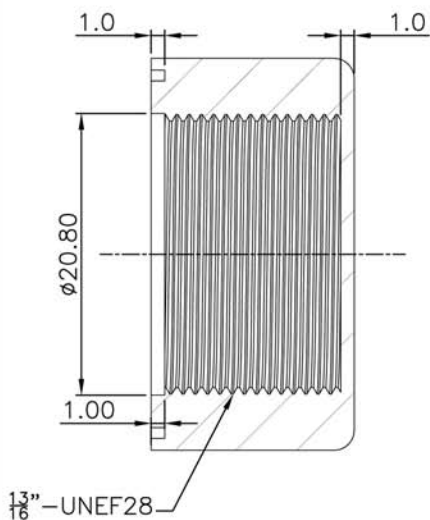
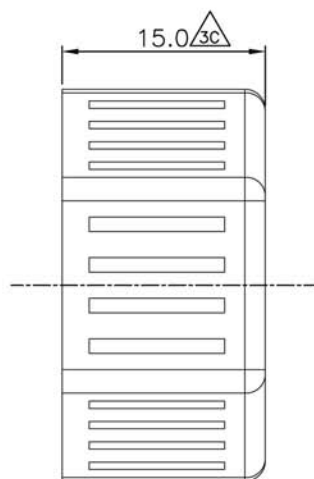
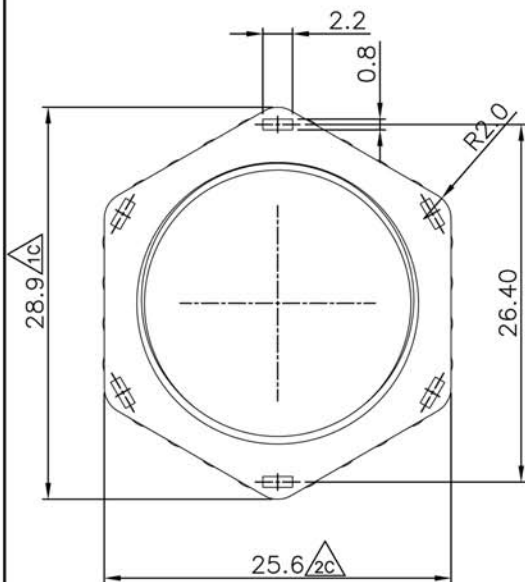


RoHS COMPLIANT



MATERIAL: PBT+30% GLASS FILLED  
POLYESTER UL 94V-0  
COLOR: BLACK

**VPI** VIDEO  
PRODUCTS  
INCORPORATED

1275 Danner Drive Aurora, Ohio 44202  
Tel: 1-800-626-7801 Fax: 330-562-1999  
www.vpi.us sales@vpi.us